

Forever Bright

SPECIFICATION FEATURES



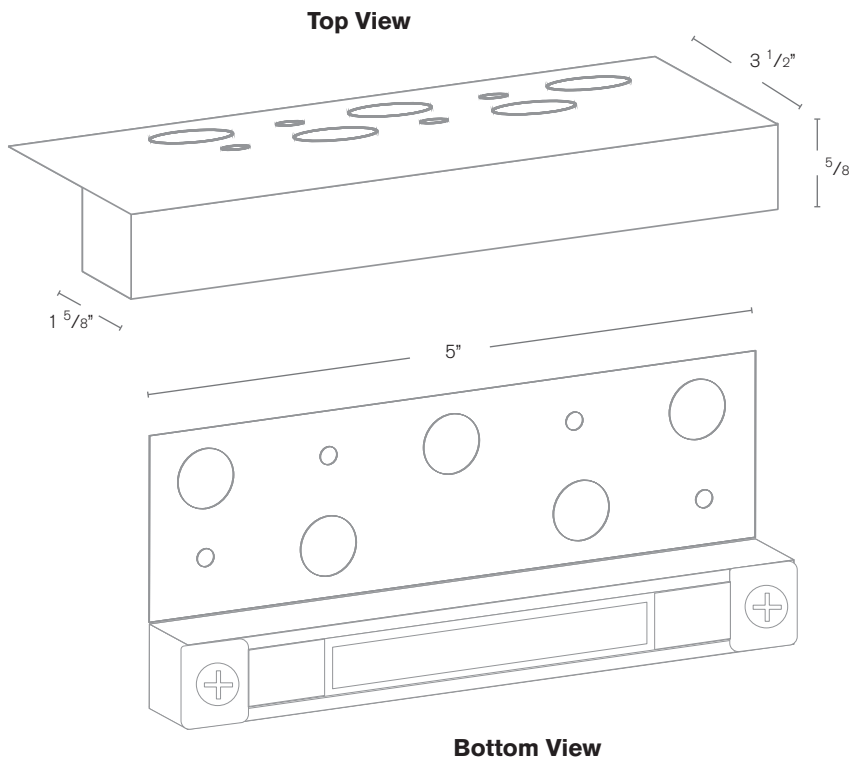
Model: **SPJ-SC-5**
Finish: Matte Bronze

- Finish:** Our naturally etched finishes will withstand the test of time. All finishes are individually treated insuring consistency. Our meticulous application results in a fixture that truly becomes "a one of a kind".
- Electrical:** Available in 9-15V
- Labels:** ETL Standard Wet Label
C-ETL

Recessed Step Light

DESCRIPTION

- Model#:** SPJ-SC-5
- Lumens:** 125
- Color Temp:** 2700K
- Electrical:** 9-15V
- Mounting:** Recessed
- LED:** Nichia



Wet Listed



SPJ Approval			Customer Approval		

ORDERING INFORMATION

Model#	Finishes	Wattage	Lumens	Color Temp.	Electrical
SPJ-SC-5	MBR	1W	125	2700K	9-15V

- V = Verde
- M = Moss
- AG = Aged Brass
- MBR = Matte Bronze
- SB = Satin Brass
- GM = Gun Metal
- B = Black
- R = Rusty
- PVDP = PVD Polished
- PVDS = PVD Satin
- 1W
- 125
- 2700K
- 4000K
- 5000K
- 9-15V