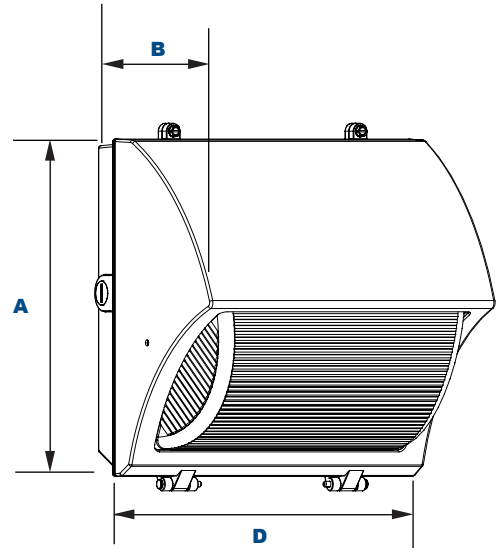




EasyLED Small Accord Semi-Cutoff Wall Pack

SPJ-SASC-1-WP



Housing:

Die Cast Aluminum Housing and Hinged Front Frame with Stainless Steel Hinge Pins, 1/2" Coin Plugs with O-rings for Conduit and Photocell, Textured Architectural Bronze Powdercoat Finish Over a Chromate Conversion Coating.

Lens:

Molded Prismatic Borosilicate Glass Lens.

Mounting:

Cast-in Template for Mounting Directly Over a 4" Recessed Outlet Box, or Use 1/2" Surface Conduit.

Photometric Performance:

Array Lumens: 5,045

Delivered Lumens:

3,443

Wattage:

Array: 37.2w, System: 44w

Driver:

Electronic Driver, 120-277V, 50/60Hz; Dimmable Driver

Ratings:

CSA: Listed for Wet Locations.

Options:

Custom Colors Available Upon Request.

Photometrics

