



Forever Bright

SPECIFICATION FEATURES



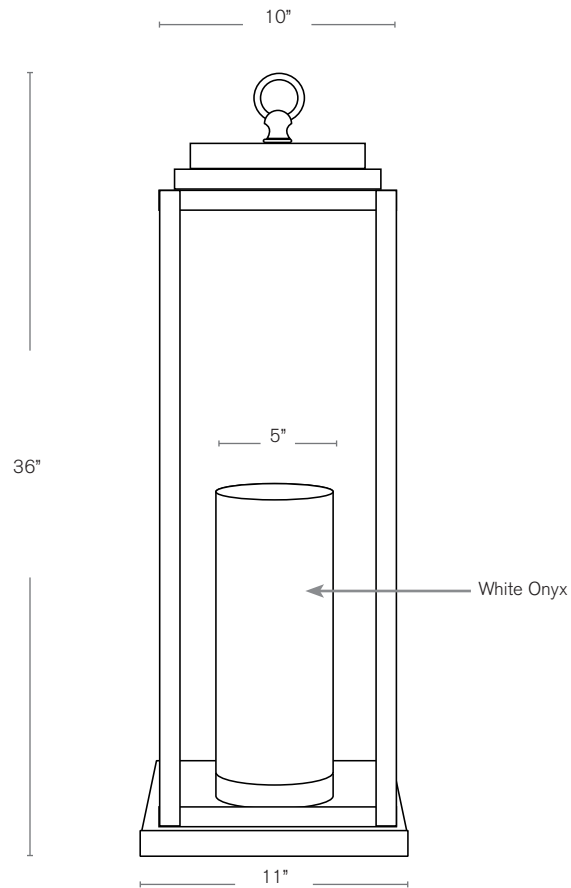
Model: SPJ-PDL-100
Finish: Black

- Finish:** Our naturally etched finishes will withstand the test of time. All finishes are individually treated insuring consistency. Our meticulous application results in a fixture that truly becomes "a one of a kind".
- Electrical:** Available in 12V or 120V
- Labels:** ETL Standard Wet Label
C-ETL

Patio Light

DESCRIPTION

- Model#:** SPJ-PDL-100
- Material:** Solid Brass
- Engine:** FB-Cylinder-1W-Candle
- Color Temp:** 2700K
- Electrical:** 12V, 120V, Battery operated
- LED:** Nichia



Custom Sizes Available!



ORDERING INFORMATION

Model#	Wattage	Color Temp.	Electrical
SPJ-PDL-100	1W	2700K	12V
B	1W	2700K	120V
			Battery Operated

V = Verde GM = Gun Metal
 M = Moss B = Black
 AG = Aged Brass R = Rusty
 MBR = Matte Bronze PVDP = PVD Polished
 SB = Satin Brass PVDS = PVD Satin