



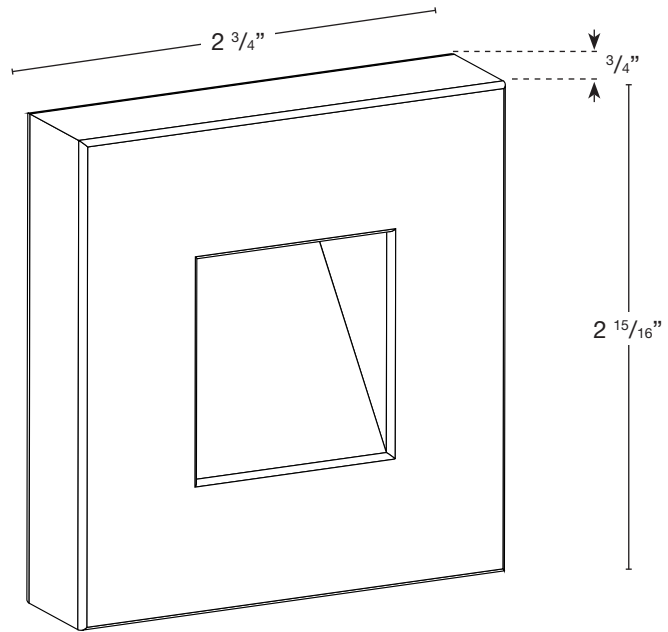
MODEL: **SPJ-MS2-PLC**
 MATERIAL: **Solid Brass or Copper**
 FINISH SHOWN: **PVD Satin**
 ELECTRICAL: **12V-15V**
 WATTAGE: **4W**
 ENGINE: **FB-4W-FLAT-PLC**
 LUMEN: **150**
 MOUNTING: **Surface**

FINISHES

- Matte Bronze (MBR)
- Verde (V)
- Moss (M)
- Black (B)
- Rusty (R)
- Satin Brass (SB)
- Aged Brass (AG)
- Raw Copper (RC)
- Natural Copper (NC)

PVD PREMIUM

- PVD Polished (PVDP)
- PVD Satin (PVDS)
- PVD Graphite (PVDG)
- PVD Bronze (PVDBZ)
- PVD Black (PVDBL)



	MILLIAMPS	VOLTAGE	LUMEN	OUTPUTS
WW/CW:	350 mA	1.00 DCW	1.13 ACW	
RGB:	350 mA	1.12 DCW	1.27 ACW	
RED:	2.2 VF	102 LUM		
GREEN:	3.2 VF	126 LUM		
BLUE:	3 VF	40 LUM		
18K:	2.85 VF	112 LUM		
65K:	2.85 VF	154 LUM		
300W	30 load			

COLOR TEMPERATURE

- 2700K
- RGBW



Wet Listed



Ordering Example	Customer Approval	Date
SPJ-MS2-PLC-PVDS-4W-RGBW-12V-15V		