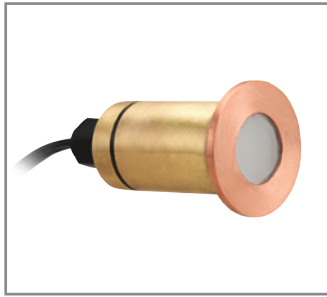


# Forever Bright

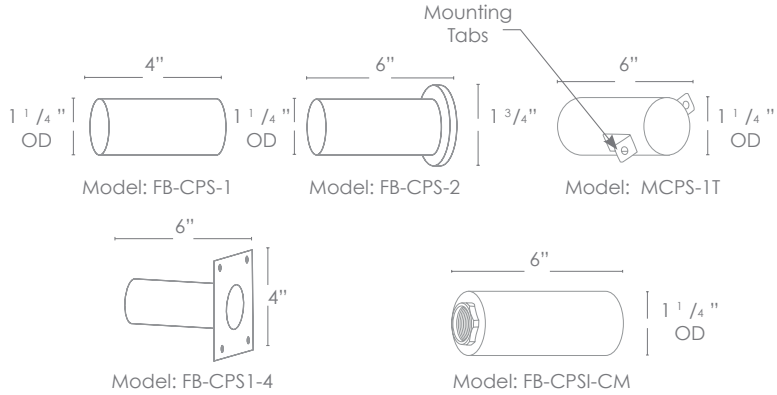
## SPECIFICATION FEATURES



Model: **SPJ-MINI-GDG-30WM**  
Finish: Raw Copper

- Finish:** Our naturally etched finishes will withstand the test of time. All finishes are individually treated insuring consistency. Our meticulous application results in a fixture that truly becomes "a one of a kind".
- Electrical:** Available in 8-15V
- Labels:** ETL Standard Wet Label  
C-ETL

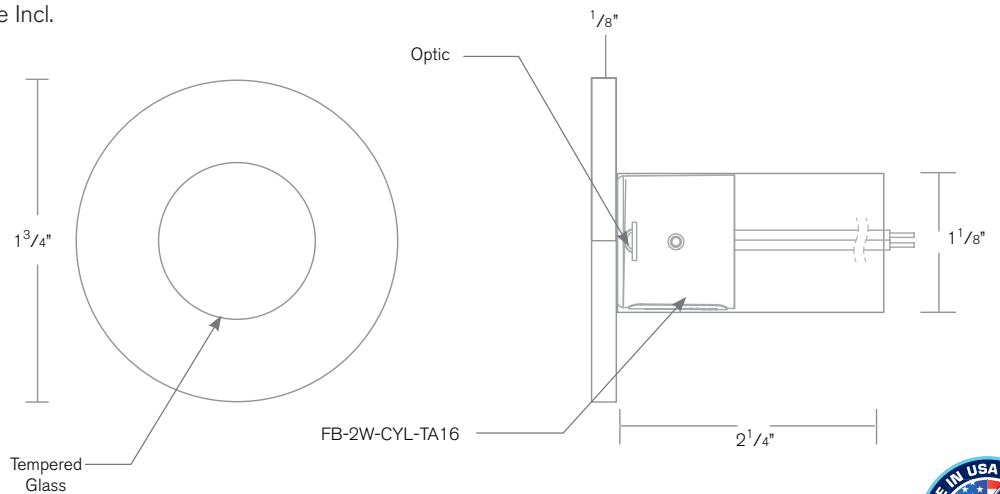
### Concrete Pour Sleeves



## DESCRIPTION

- Model#:** SPJ-MINI-GDG-30WM
- Material:** Solid Brass
- Electrical:** 8-15V
- Engine:** FB-2W-CYL-TA16
- Lumen Range:** 150
- Color Temp:** 2700k
- Mounting:** 1/2" NPT. Dual Fin Spike Incl.
- LED:** Nichia

*Unlimited LED Lumen Packages & Color Temperatures Available!*



**Wet Listed**



## ORDERING INFORMATION

Model#	Finishes	Wattage	Optics	Lumen Range	Color Temp.	Electrical
<b>SPJ-MINI-GDG-30WM</b>	<b>RC</b>	<b>2W</b>	<b>NA</b>	<b>150</b>	<b>2700K</b>	<b>8-15V</b>

- V = Verde
- GM = Gun Metal
- 2W
- Spot
- 150
- 2700K
- 8-15V
- M = Moss
- B = Black
- Flood
- 4000K
- 5000K
- AG = Aged Brass
- R = Rusty
- Wide Flood
- Wide Angle Flood
- MBR = Matte Bronze
- PVDP = PVD Polished
- RC = Raw Copper
- PVDS = PVD Satin