

SPJ-LS-11

SPECIFICATION FEATURES



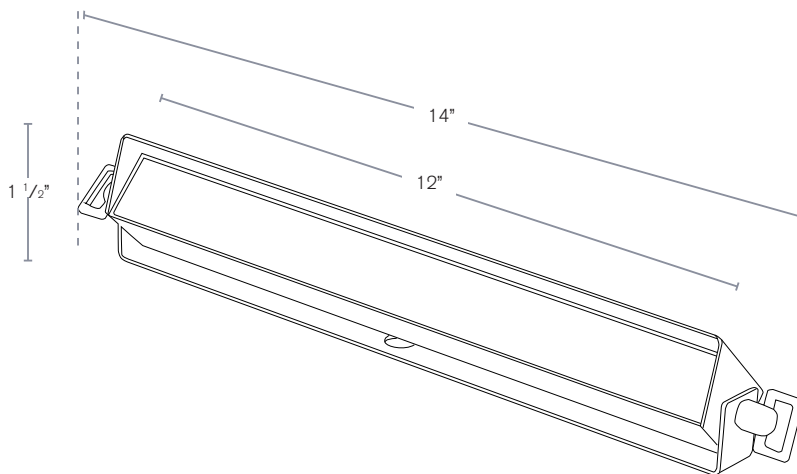
Model: **SPJ-LS-11**

| | |
|--------------------|------------------------------------------------------------------------------------------------------------------------------------------------------------------------------------------------------------------|
| Finish: | Our naturally etched finishes will withstand the test of time. All finishes are individually treated insuring consistency. Our meticulous application results in a fixture that truly becomes "a one of a kind". |
| Electrical: | Available in 12V |
| Labels: | UL Wet Listed |

Adjustable Wall Mount

DESCRIPTION

| | |
|--------------------|--------------|
| Model#: | SPJ-LS-11 |
| Material: | Solid Brass |
| Finish: | Matte Bronze |
| Electrical: | 12V |
| Engine: | FB-LS-3-300 |
| Wattage: | 3W |
| Lumens: | 300 |
| Color Temp: | 2700K |
| Mounting: | 1/2" NPT |



| SPJ Approval | Customer Approval |
|--------------|-------------------|
| | |

ORDERING INFORMATION

| Model# | Finishes | Wattage | Lumens | Electrical | Color Temp. |
|------------------|----------|-----------|------------|------------|--------------|
| SPJ-LS-11 | | 3W | 300 | 12V | 2700K |

| | |
|------------------------------|---------------------------------|
| BRASS Standard Finish | RC Raw Copper |
| MBR Matte Bronze | NC Natural Copper |
| V Verde | PVD Premium |
| M Moss | PVDP Polished PVD Silver |
| AB Aged Brass | PVDS Satin PVD Silver |
| B Black | PVDG PVD Graphite |
| R Rusty | PVDBZ PVD Bronze |
| SB Satin Brass | PVDBL PVD Black |