



# Forever Bright

## SPECIFICATION FEATURES

**Finish:** Our naturally etched finishes will withstand the test of time. All finishes are individually treated insuring consistency. Our meticulous application results in a fixture that truly becomes "a one of a kind".

**Electrical:** Available in 12V or 120V

**Labels:** ETL Standard Wet Label  
C-ETL

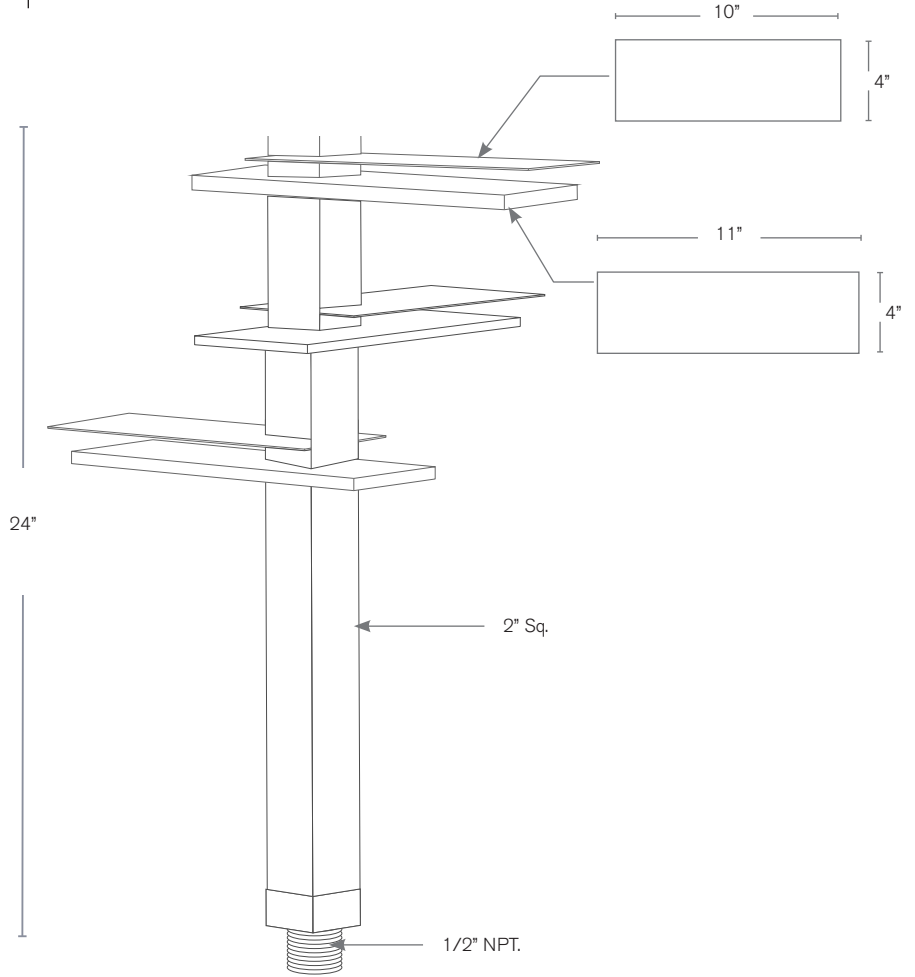


Model: **SPJ-FLTE3**  
Finish: Matte Bronze

### Craftsman Path / Area Lighting

### DESCRIPTION

- Model#:** SPJ-FLTE3
- Engine:** (3)FB-2WREC-TA125-2700K
- Wattage:** 6W
- Lumens:** 375
- Color Temp:** 2700K
- Electrical:** 12V, 120V
- LED:** Nichia



Wet Listed



### ORDERING INFORMATION

Model#	Finishes	Wattage	Lumens	Color Temp.	Electrical
<b>SPJ-FLTE3</b>	<b>MBR</b>	<b>6W</b>	<b>375</b>	<b>2700K</b>	<b>12V</b>

- V = Verde      B = Black
- M = Moss      R = Rusty
- AG = Aged Brass      PVDP = PVD Polished
- MBR = Matte Bronze      PVDS = PVD Satin
- SB = Satin Brass      PVDG = PVD Graphite
- GM = Gun Metal

[WWW.SPJLIGHTING.COM](http://WWW.SPJLIGHTING.COM)