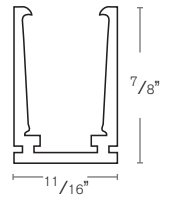
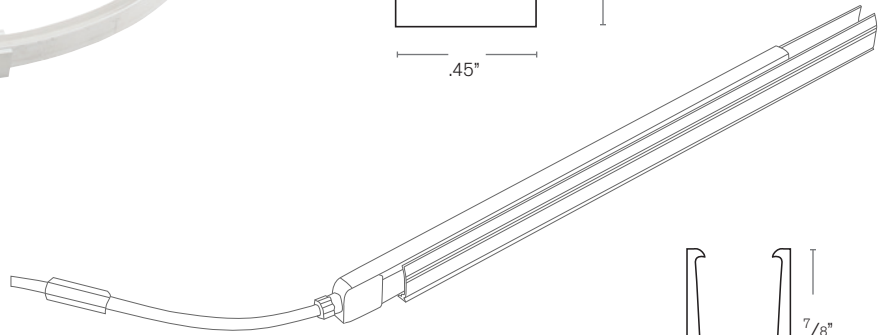
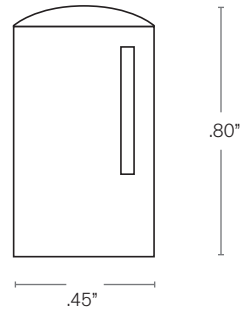


## SPECIFICATION FEATURES

Model: **SPJ-FLEX-STRIP**

SPJ-Flex-Strip series is a high performance LED strip designed to replace neon lighting for a smooth or continuous line of light. SPJ-Flex-Strip flexibility allows the light source to bend around various contours, curves and radiuses without being damaged. Also available in IP68 underwater series. Please consult factory for more info.



**Aluminum Cup  
AC2**

### DESCRIPTION

- Model#:** SPJ-FLEX-STRIP
- Material:** PVC
- Electrical:** 24DC
- Wattage:** 4.4 Watts per FT
- Lumen Range:** 120 lumens
- Color Temp:** 2700K
- Beam Angle:** 120°
- Max Run:** 32 Ft. (64 Ft. loop)
- Dimmable:** Yes
- Rated Life:** 50,000 hours
- Operating Temp.:** -4° ~ 122°F
- Bend Radius:** 2.6"
- IP65 Wet Location or IP68 Underwater / Submersible**



**PVC Channel  
PVC-39**



**Aluminum Cup  
AC2**



Wet Listed



### ORDERING INFORMATION

Model#	Finishes	Wattage	Lumen Range	Color Temp.	Electrical
<b>SPJ-FLEX-STRIP</b>	<b>W</b>	<b>4.4/FT</b>	<b>120</b>	<b>2700K</b>	<b>24DC</b>

- 2700k RGBW
- 3000k RED
- 3500k PINK
- 4000k BLUE
- 5000k GREEN
- AMBER
- YELLOW

24DC