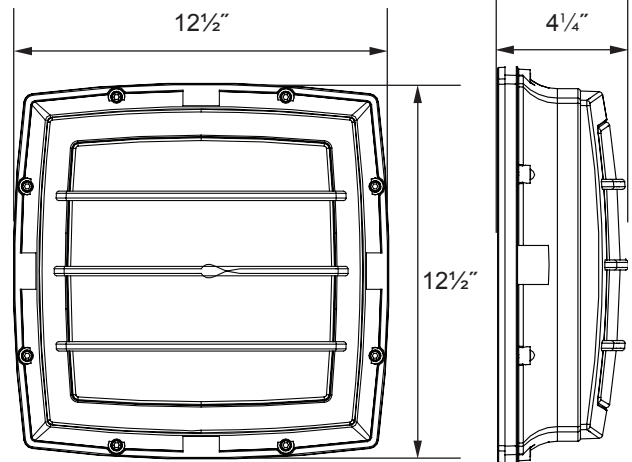




EasyLED Excel Square Bulkhead Grid Frame

SPJ-ESBG-1-WP



Housing:
Die cast aluminum housing and grid front frame, textured powdercoat finish over a chromate conversion coating, gasketed.

Lens:
LumaLens Polycarbonate Opal Lens.

Mounting:
Surface Mount

Photometric Performance:
Array Lumens: 2,511

Delivered Lumens:
1,363

Wattage:
Array: 17w, System: 19.5w

Driver:
Electronic Driver, 120-277V, 50/60Hz; Dimmable Driver

Ratings:
CSA:Listed for Wet Locations.

Options:
Custom Colors Available Upon Request.

Photometrics

