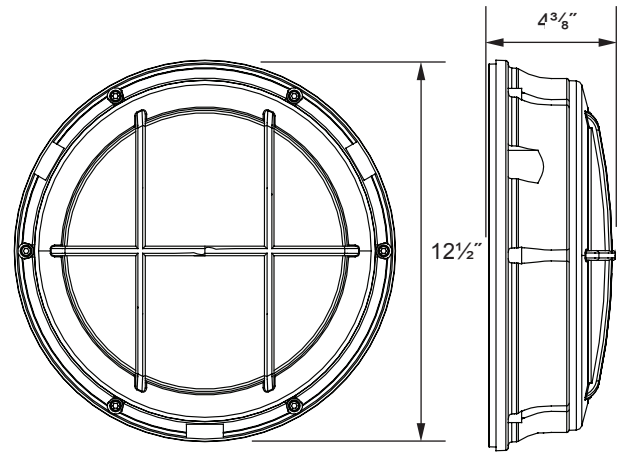




## EasyLED Excel Round Bulkhead Grid Frame

## SPJ-ERBG-1-WP



### Housing:

Die cast aluminum housing and grid front frame, textured powdercoat finish over a chromate conversion coating, gasketed.

### Lens:

LumaLens Polycarbonate Opal Lens.

### Mounting:

Surface Mount

### Photometric Performance:

Array Lumens: 2,539

### Delivered Lumens:

1,468

### Wattage:

Array: 17w, System: 19.5w

### Driver:

Electronic Driver, 120-277V, 50/60Hz; Dimmable Driver

### Ratings:

CSA:Listed for Wet Locations.

### Options:

Custom Colors Available Upon Request.

## Photometrics

