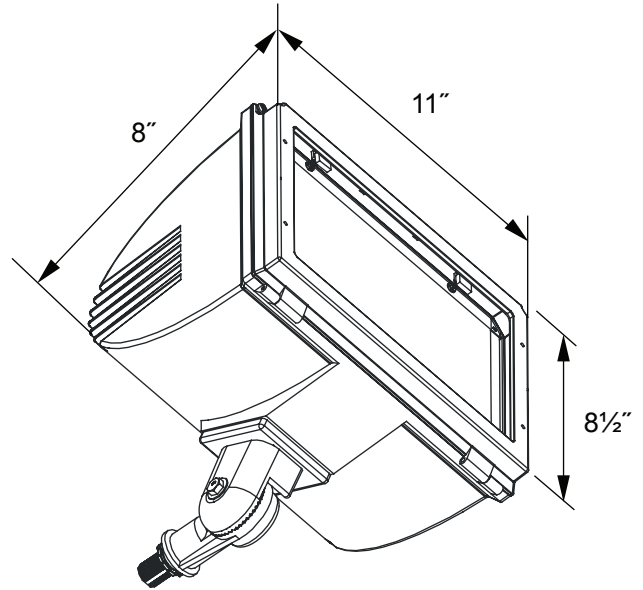




## EasyLED Round Back Flood

## SPJ-ERBF-1-FL



**Housing:**  
Die Cast Aluminum Housing and Hinged Top Frame,  
Textured Architectural Bronze Powdercoat Finish Over a  
Chromate Conversion Coating.

**Lens:**  
Clear flat glass lens or clear flat prismatic glass lens.

**Mounting:**  
Heavy Duty Adjustable Knuckle with 1/2" NPS Threads or  
Optional Adjustable Die Cast Slipfitter with Angle Indicators.

**Delivered Lumens:**  
3,479 (5K); 3,431 (4K)

**Wattage:**  
Array: 40.3w, System: 44w

**Driver:**  
Electronic Driver, 120-277V, 50/60Hz; Dimmable Driver

**Ratings:**  
CSA: Listed for Wet Locations. LM-79 Report Available on  
Select Models.

**Options:**  
Custom Colors Available Upon Request.

## Photometrics

