



# Forever Bright

## SPECIFICATION FEATURES

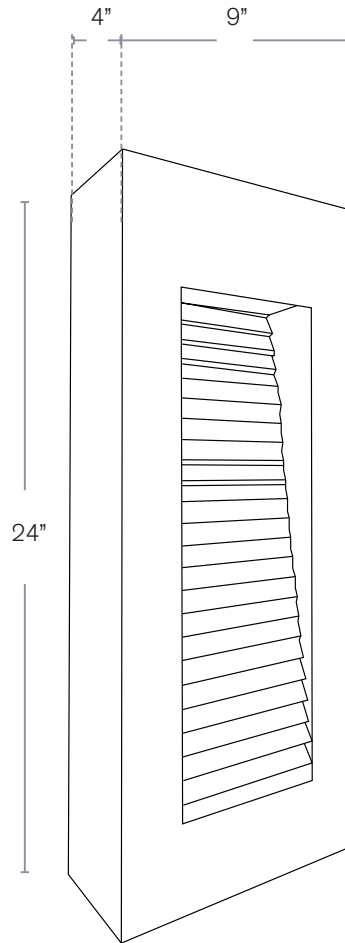


Model: SPJ-EDL-9

- Finish:** Our naturally etched finishes will withstand the test of time. All finishes are individually treated insuring consistency. Our meticulous application results in a fixture that truly becomes "a one of a kind".
- Electrical:** Available in 120V
- Labels:** ETL Standard Wet Label  
C-ETL

## DESCRIPTION

- MODEL:** SPJ-EDL-9
- MOUNTING:** WALL MOUNT
- DIMENSIONS:** 24" X 9" X 4" EXT.
- LAMP:** FB-MP1000
- LUMENS:** 1000
- COLOR TEMP:** 2700K



Wet Listed

## ORDERING INFORMATION

| Model#    | Finishes | Lamp      | Electrical |
|-----------|----------|-----------|------------|
| SPJ-EDL-9 | MBR      | FB-MP1000 | 120V       |

- V = Verde
- M = Moss
- AG = Aged Brass
- MBR = Matte Bronze
- RC = Raw Copper
- GM = Gun Metal
- B = Black
- R = Rusty
- PVDP = PVD Polished
- PDS = Powder Coat Silver