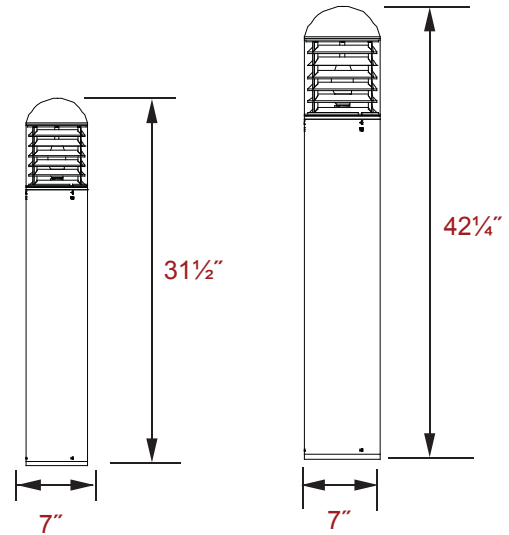




Dome Bollard with Louvers

SPJ-EDBL-1-BOL



Housing:
Extruded Aluminum Housing with Flush Mounting Base and Vandal-Resistant Screws, Domed Top, Powdercoat Finish Over a Chromate Conversion Coating, Internal Ballast Tray for Easy Maintenance.

Reflector:
Cast Aluminum Louvers

Lens:
Clear Polycarbonate Lens.

Socket:
Porcelain 4KV Pulse Rated Medium Base Socket with Nickel Plated Screw Shell.

Mounting:
Mounting Kit with 8" Anchor Bolts (Included).

Wattage:
High Pressure Sodium: 35 to 100w
Metal Halide: 70 to 100w
Compact Fluorescent: 1 x 42 to 57w

Ratings:
CSA:Listed for Wet Locations.

Options:
Bollards Can Be Cut To Custom Lengths. Custom Colors Available Upon Request.

Photometrics

