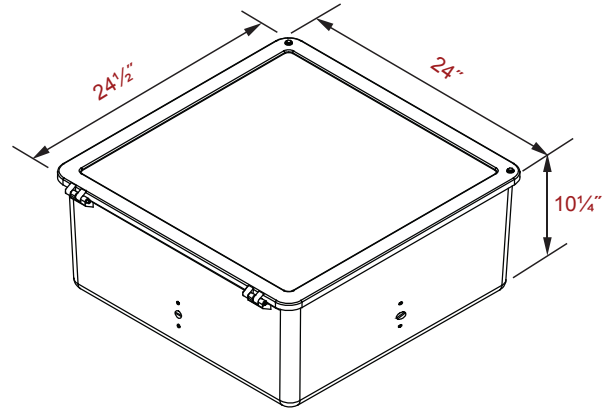




EasyLED 23" Square Shoebox

SPJ-E23-SH-1-AL



Housing:
Die Cast Aluminum Housing and Hinged Front Frame, 1/2" Coin Plugs for Conduit and Photocell, Textured Architectural Bronze Powdercoat Finish Over a Chromate Conversion Coating.

Lens:
Clear Flat Glass Lens or Clear Flat Prismatic Glass Lens

Mounting:
Mount with Extruded Mounting Arms or Direct Pole Mount Arm.

Photometric Performance:
Array Lumens: 21,760 (F Optic)

Delivered Lumens:
17,098 (C, Clear); 16,172 (F, Clear)

Wattage:
Array: 185.8w, System: 195w

Driver:
Electronic Driver, 120-277V, 50/60Hz or 347/480V, 50/60Hz;
Dimmable Driver

Ratings:
CSA: Listed for Wet Locations.

Options:
Surge Protection. Custom Colors Available Upon Request.

Photometrics

