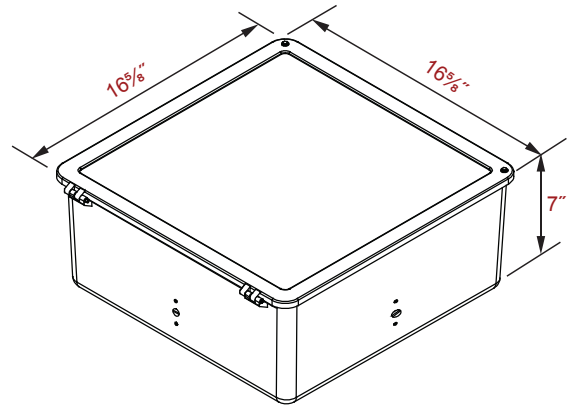




EasyLED 16" Square Shoebox

SPJ-E16-SH-1-AL



Housing:
Die Cast Aluminum Housing and Hinged Front Frame, 1/2" Coin Plugs for Conduit and Photocell, Textured Architectural Bronze Powdercoat Finish Over a Chromate Conversion Coating.

Lens:
Clear Flat Glass Lens or Clear Flat Prismatic Glass Lens.

Mounting:
Mount with Extruded Mounting Arms.

Photometric Performance:
Array Lumens: 9,765 (C Optic); 9,409 (F Optic)

Delivered Lumens:
7,213 (C ,Clear)

Wattage:
Array: 87.6w, System: 91w

Driver:
Electronic Driver, 120-277V, 50/60Hz or 347/480V, 50/60Hz;
Dimmable Driver

Ratings:
CSA:Listed for Wet Locations.

Options:
Surge Protection. Custom Colors Available Upon Request.

Photometrics

