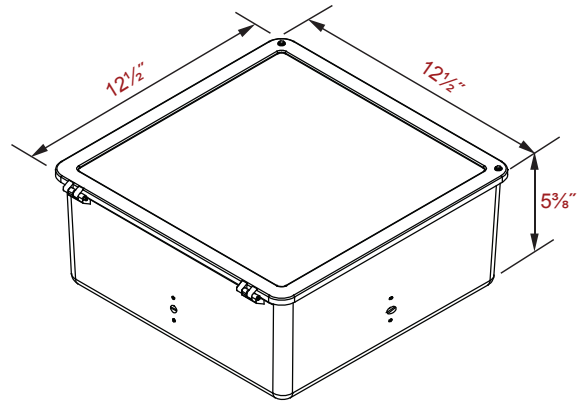




EasyLED 12" Square Shoebox

SPJ-E12-SH-1-AL



Housing:
Die Cast Aluminum Housing and Hinged Front Frame, 1/2" Coin Plugs for Conduit and Photocell, Textured Architectural Bronze Powdercoat Finish Over a Chromate Conversion Coating.

Lens:
Clear Flat Glass Lens or Clear Flat Prismatic Glass Lens.

Mounting:
Mount with Two-Piece Swivel Bracket, Adjustable Slipfitter, 6", 10" or 12" Extruded Mounting Arm.

Photometric Performance:
Array Lumens: 5338 (F Optic)

Delivered Lumens:
5023 (F, Clear)

Wattage:
Array: 55.8w, System: 62w

Driver:
Electronic Driver, 120-277V, 50/60Hz or 347/480V, 50/60Hz;
Dimmable Driver

Ratings:
CSA:Listed for Wet Locations. LM-79 Report Available on Select Models.

Options:
Surge Protection. Custom Colors Available Upon Request.

Photometrics

