



Forever Bright

SPECIFICATION FEATURES



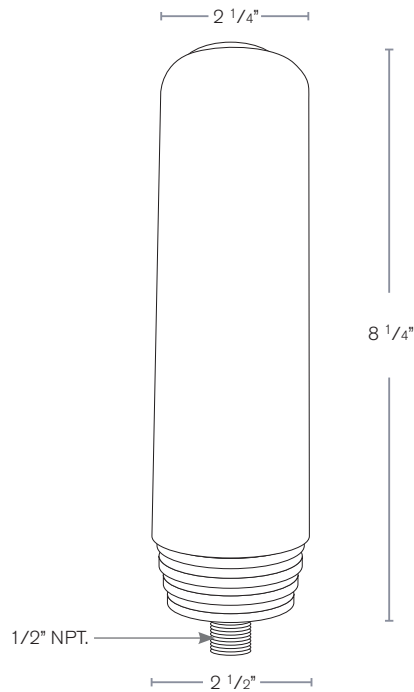
Model: **SPJ-CSM**
Shown: PVDS

- Finish:** Our naturally etched finishes will withstand the test of time. All finishes are individually treated insuring consistency. Our meticulous application results in a fixture that truly becomes "a one of a kind".
- Electrical:** Available in 8-15V
- Labels:** ETL Standard Wet Label
C-ETL

Pendant Light

DESCRIPTION

- Model#:** SP-CSM
- Material:** Solid Brass
- Finish:** PVD Satin
- Acrylic:** Frosted Acrylic
- Electrical:** 8-15V
- Engine:** FB-8W-CYL-RGBW
- Lumens:** 580
- Color Temp:** RGBW



Wet Listed



ORDERING INFORMATION

Model#	Finishes	Wattage	Lumens	Color Temp.	Electrical
SPJ-CSM	PVDS	8W	580	RGBW	8-15V
SPJ-CSM	V = Verde M = Moss AG = Aged Brass MBR = Matte Bronze SB = Satin Brass GM = Gun Metal B = Black NC = Natural Copper RC = Raw Copper PVDS = PVD Satin	8W	580	RGBW	8-15V