



MODEL: **SPJ-CBWL-16-PLC**
 MATERIAL: **Solid Brass**
 FINISH SHOWN: **Satin Brass**
 ELECTRICAL: **12V-15V**
 ENGINE: **FB-8W-CYL-PLC**
 LUMENS: **390**
 COLOR TEMP: **2700K**
 MOUNTING: **In Ground**
 LED: **Nichia**

FINISHES

- Matte Bronze (MBR)
- Verde (V)
- Moss (M)
- Black (B)
- Rusty (R)
- Satin Brass (SB)
- Aged Brass (AG)
- Raw Copper (RC)
- Natural Copper (NC)

PVD PREMIUM

- PVD Polished (PVDP)
- PVD Satin (PVDS)
- PVD Graphite (PVDG)
- PVD Bronze (PVDBZ)
- PVD Black (PVDBL)

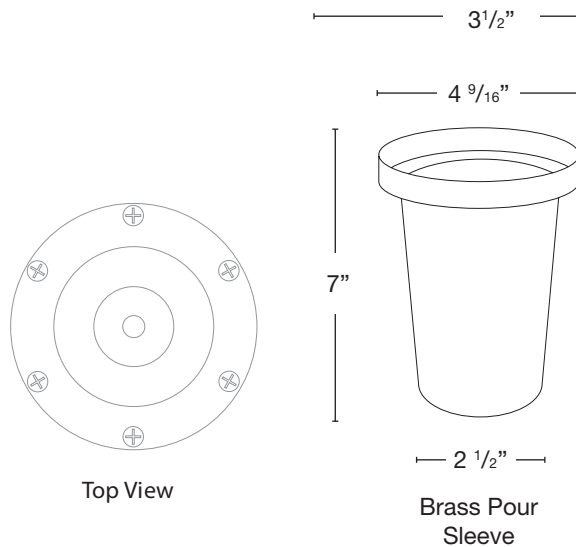
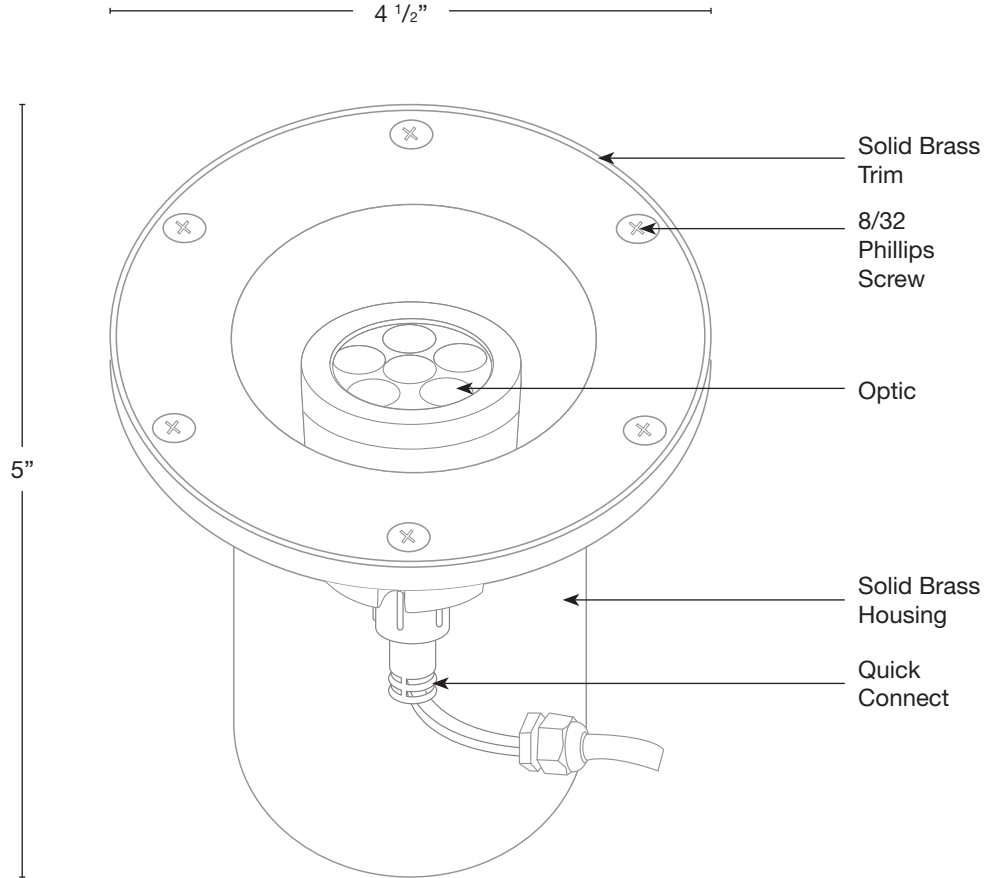
MILLIAMPS	VOLTAGE	LUMEN	OUTPUTS
WW/CW:	500 mA	2.85 DCW	3.24 ACW
RGB:	500 mA	1.60 DCW	1.82 ACW
RED:	2.2 VF	147 LUM	
GREEN:	3.2 VF	179 LUM	
BLUE:	3 VF	58 LUM	
18K:	5.7 VF	319 LUM	
65K:	5.7 VF	441 LUM	
300W	30 load		

COLOR TEMPERATURE

- 2700K
- RGBW

OPTICS

- SPOT (STANDARD) 19d
- FLOOD 38d
- WIDE FLOOD 54d



Wet Listed



Ordering Example

Customer Approval

Date

SPJ-CBWL-16-PLC-SB-8W-RGBW-12V-15V