



EasyLED Bravo! Wall Pack



Housing:

Die Cast Aluminum Back Housing with Cast-in Template for Mounting Over an Electrical Box, Color Matched Hinged Polycarbonate Front Housing with Clear Ribbed Lens Area, 1/2" Coin Plugs with O-rings for Conduit and Photocell, Textured Architectural Bronze Powdercoat Finish.

Lens:

Standard clear polycarbonate prismatic lens.

Mounting:

Mount Directly Over a 4" Recessed Outlet Box, or Use 1/2" Surface Conduit or Quick-Mount Bracket.

Photometric Performance:

Array Lumens: 4,438

Delivered Lumens:

3,114

Wattage:

Array: 33.3w, System: 36.6w

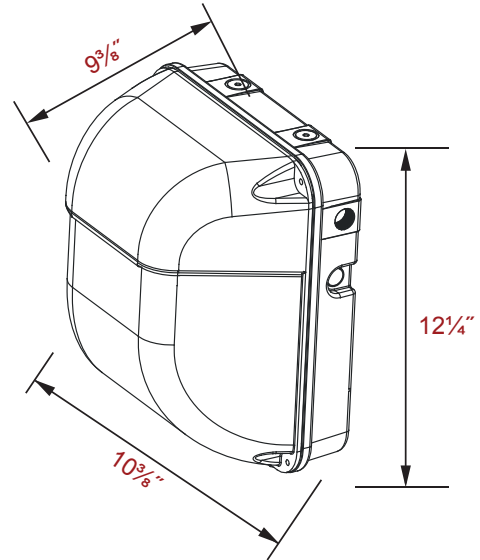
Driver:

Electronic Driver, 120-277V, 50/60Hz; Dimmable Driver

Ratings:

CSA: Listed for Wet Locations.

SPJ-BWP-1-WP



Photometrics

