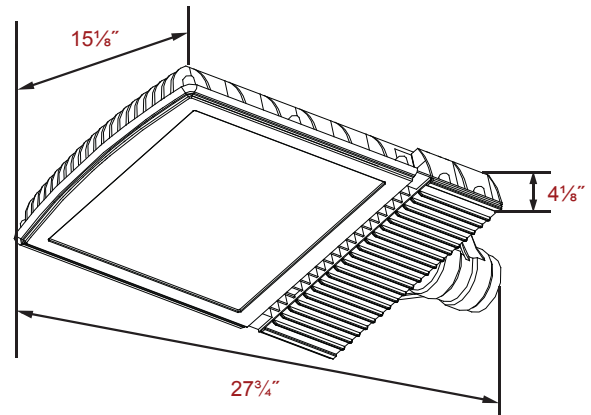




## Bentley Small Area/Roadway IP67

## SPJ-BSAR-1-AL



**Housing:**  
Heavy-Duty Low Profile Die Cast Housing with Integral Heat Sinking, Driver Compartment, Mounting Arm Adaptor. Powdercoat Finish Over a Chromate Conversion Coating. Includes Twist Lock Photocell Receptacle.

**Lens:**  
Clear Flat Glass Lens or Clear Flat Prismatic Glass Lens.

**Mounting:**  
2 3/8" mounting arm adapter, adjustable slipfitter, wall bracket or two-piece swivel bracket.

**Photometric Performance:**  
17,685 (C Optic); 17,685 (F Optic)

**Delivered Lumens:**  
17,092 (C, Clear); 17,276 (F, Clear)

**Wattage:**  
Array: 167.3w, System: 180w

**Driver:**  
Electronic Driver, 120-277V, 50/60Hz or 347/480V, 50/60Hz;  
Dimmable Driver

**Ratings:**  
CSA: Listed for Wet Locations. LM-79 Report Available on Select Models.

**Options:**  
Surge Protection. Custom Colors Available Upon Request.

**Unlimited LED Lumen Packages & Color Temperature Available!**

## Photometrics

