



MODEL: **SPJ-BC5**
 FINISH: **Satin Brass**
 ELECTRICAL: **8-15V**
 ENGINE: **FB-2W-CYL-TA16**
 LUMENS: **150**
 MOUNTING: **Hanging**
 LED: **Nichia**

FINISHES

- Matte Bronze (MBR)
- Verde (V)
- Moss (M)
- Black (B)
- Rusty (R)
- Satin Brass (SB)
- Aged Brass (AG)
- Raw Copper (RC)
- Natural Copper (NC)

PVD PREMIUM

- PVD Polished (PVDP)
- PVD Satin (PVDS)
- PVD Graphite (PVDG)
- PVD Bronze (PVDBZ)
- PVD Black (PVDBL)

WATTAGE	LUMENS
<input type="checkbox"/> 1W	80
<input type="checkbox"/> 2W	150
<input type="checkbox"/> 3W	200
<input type="checkbox"/> 6W	300

Custom lumen packages are available upon request

COLOR TEMPERATURE

- 2200K
- 2700K
- 3000K
- 4000K
- 5000K
- 6500K
- RGBW

Custom options are available

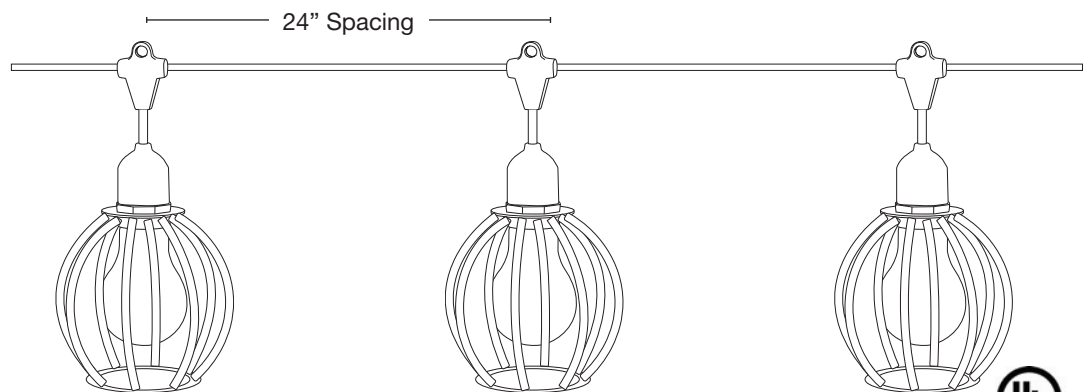
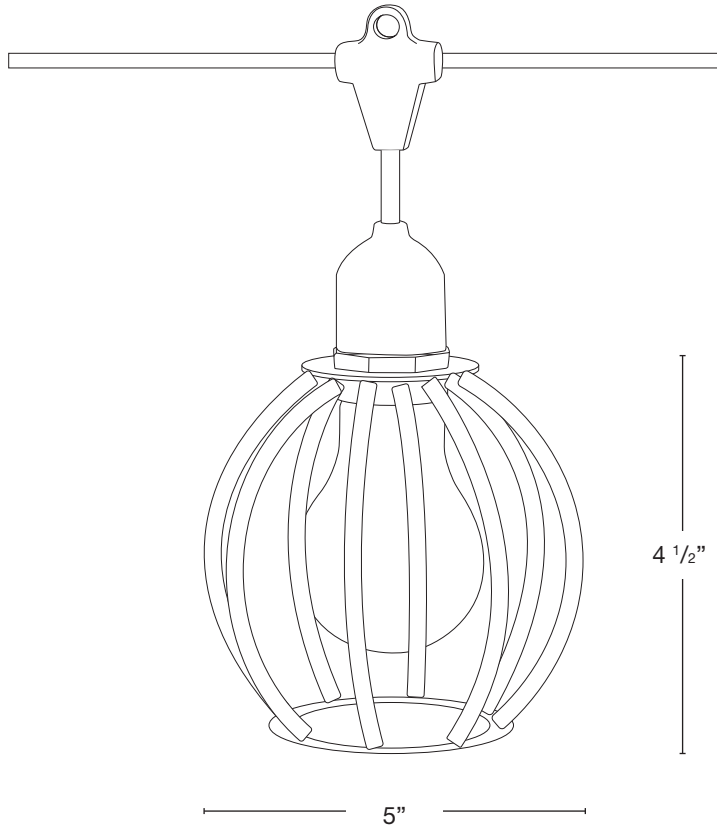
ELECTRICAL

- 8-15V

ON CENTER SPACING

- 12"
- 18"
- 24" (Standard)
- 36"
- 48"

Consult SPJ on maximum electrical run options



Wet Listed



Ordering Example

Customer Approval

Date

SPJ-BC5-SB-2W-27K-8-15V