



Forever Bright

SPECIFICATION FEATURES



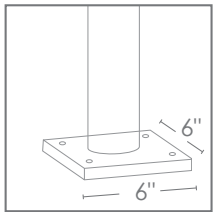
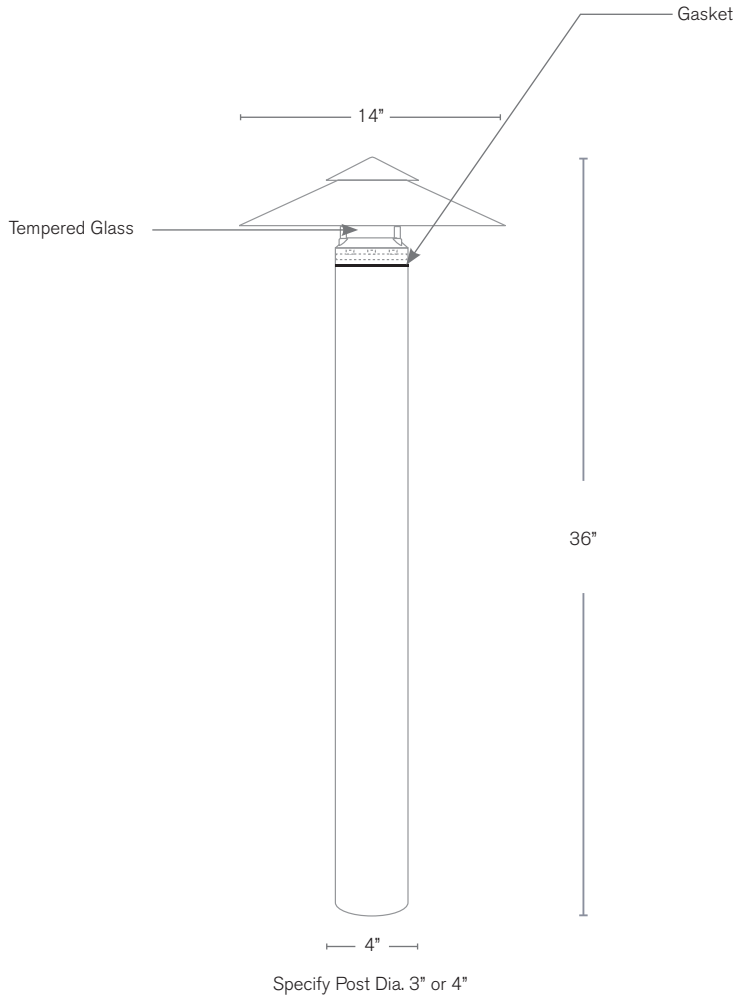
Model: **SPJ-716-14**

- Finish:** Our naturally etched finishes will withstand the test of time. All finishes are individually treated insuring consistency. Our meticulous application results in a fixture that truly becomes "a one of a kind".
- Electrical:** Available in 12V
- Labels:** ETL Standard Wet Label
C-ETL

Bollard

DESCRIPTION

- Model#:** SPJ-716-14
- Material:** Solid Brass
- Finish:** Matte Bronze
- Electrical:** 12V
- Engine:** FB-TAB-6W
- Lumens:** 300
- Color Temp:** 2700K
- Mounting:** Direct Burial or Deck Mount



Model: DM6
Deck Mount Option



Wet Listed



ORDERING INFORMATION

Model#	Finishes	Wattage	Lumens	Color Temp.	Electrical
SPJ-716-14	MBR	6W	300	2700K	12V

- V = Verde GM = Gun Metal
- M = Moss B = Black
- AG = Aged Brass R = Rusty
- MBR = Matte Bronze PVDP = PVD Polished
- RC = Raw Copper PVDS = PVD Satin