

PRODUCT: **SPJ-PCL-QS-1ALB**

WEIGHT: 289 lbs
(CUSTOMER TO OFFLOAD IF OVER 6000 Lbs.)

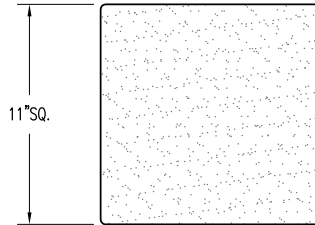
QUANTITY: _____

- CONCRETE COLOR:
- QUAIL HILL RED
 - NATURAL
 - MISSION WHITE
 - LATTE
 - HARVEST
 - FRENCH GREY
 - BUNGALOW
 - ADOBE TAUPE
 - CUSTOM COLOR

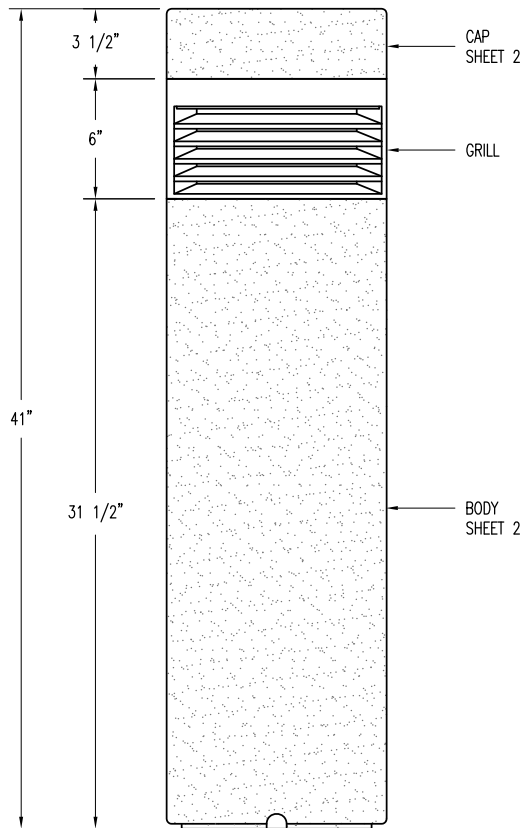
- CONCRETE TEXTURE:
- CRAFTSMANS ETCH
 - STRATA

SEALER: STANDARD SEALER

GENERAL PRODUCT NOTES:
E = EXPOSED FINISHED SURFACE
INSTALLATION IS REQUIRED BY OTHERS.
ALL EDGES TO BE EASED.
MANUFACTURING TOLERANCE ±1/4".



PLAN VIEW



ELEVATION VIEW

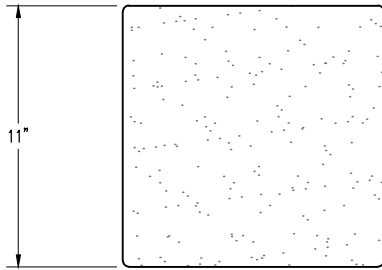


Wet Listed

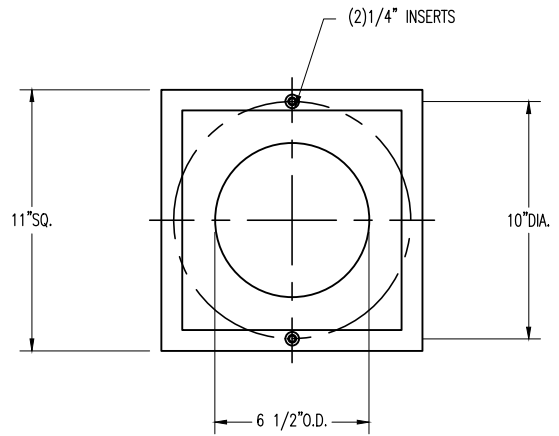


	PLAN TYPE	CONSTRUCTION PLAN	DATE	2/8/17	FILE NO.	072_QS_1ALB_104	SHEET	X
	PRODUCT	SPJ-PCL-QS-1ALB LIGHTED BOLLARD SQUARE	SCALE	1 1/4" = 1'	DRAWN BY:	-	OF	
	PROJECT NAME	-	PC. NO.	-	QC ITEM NO.	-		X

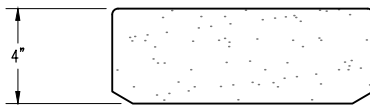
CAP



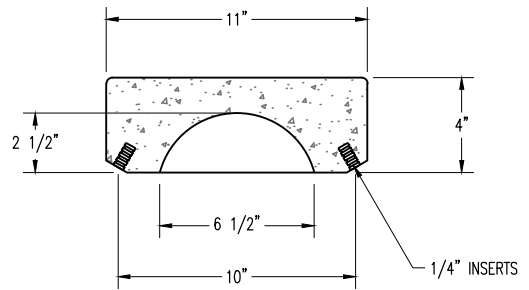
PLAN VIEW



BOTTOM VIEW



ELEVATION VIEW



SECTION VIEW



Wet Listed



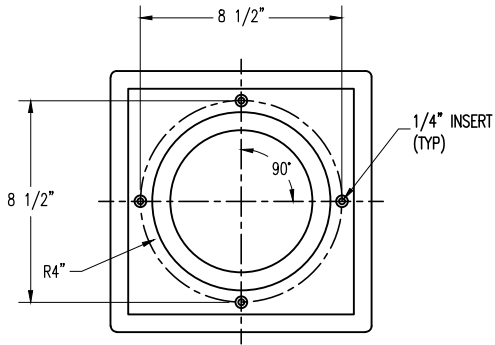
SPJ LIGHTING Inc.
ARCHITECTURAL LANDSCAPE & OUTDOOR LIGHTING

PLAN TYPE	CONSTRUCTION PLAN	DATE	2/8/17	FILE NO.	072_QS_1ALB_204	SHEET	X
PRODUCT	SPJ-PCL-QS-1ALB LIGHTED BOLLARD SQUARE	SCALE	1 1/2" = 1'	DRAWN BY:	-	OF	
PROJECT NAME	-	PC. NO.	-	QC ITEM NO.	-		X

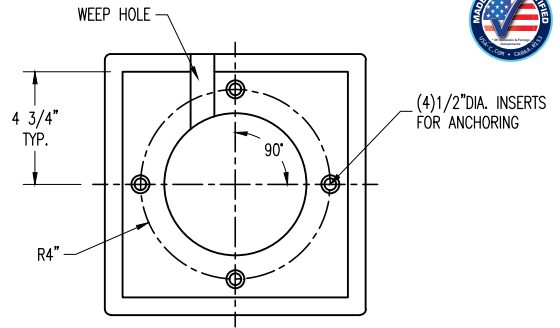
BODY



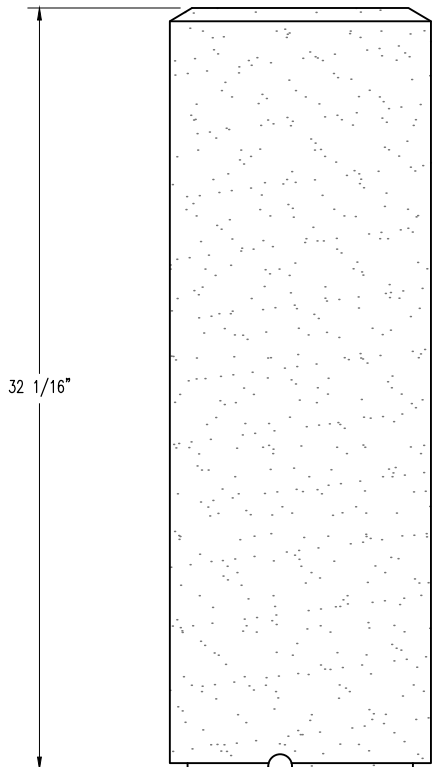
Wet Listed



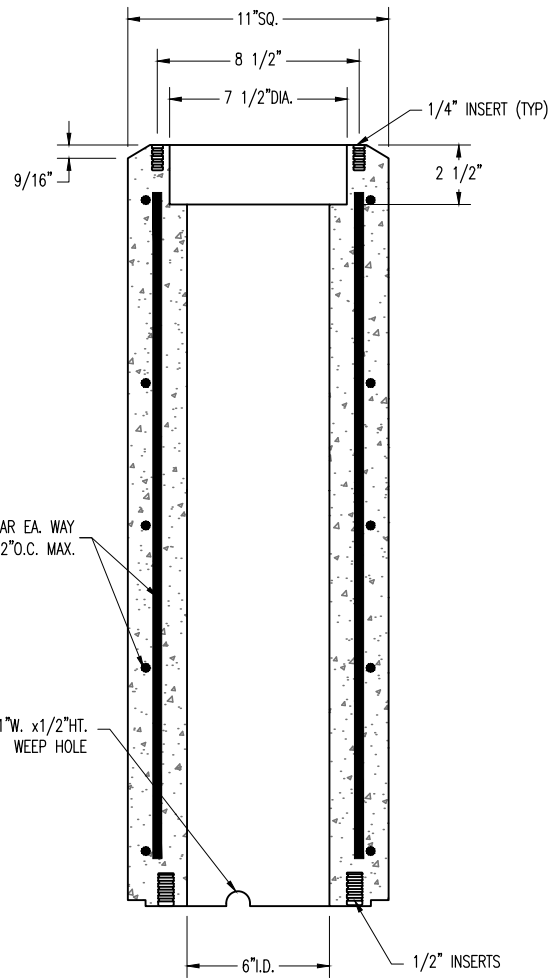
BOTTOM VIEW



BOTTOM VIEW
(ANCHOR BOLT PATTERN)

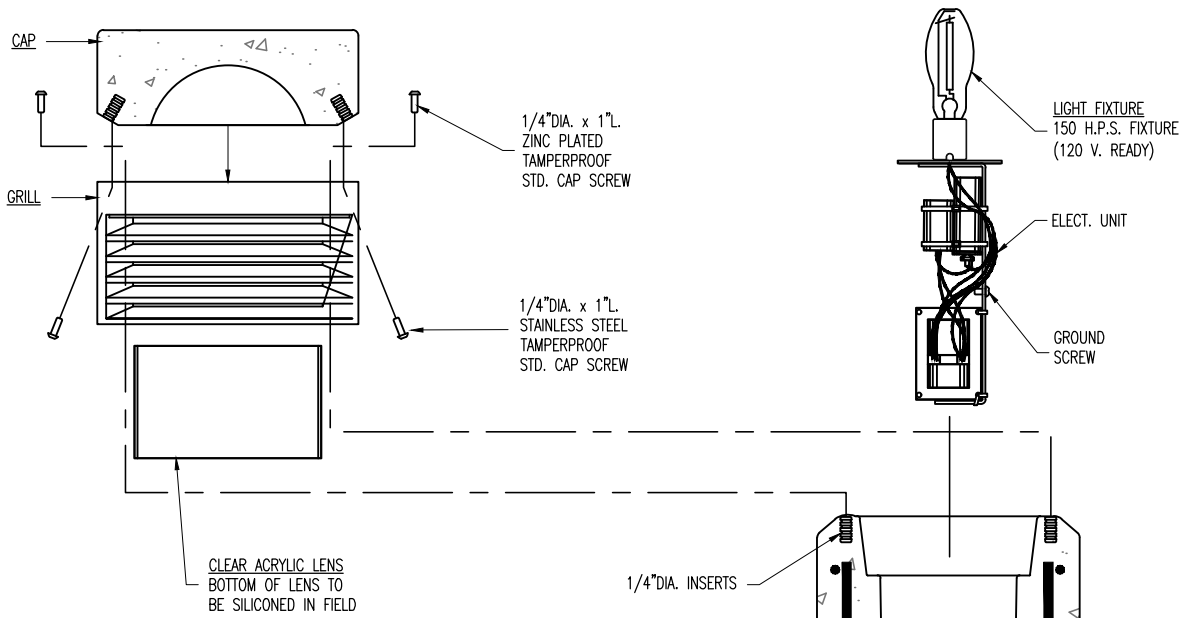


ELEVATION VIEW



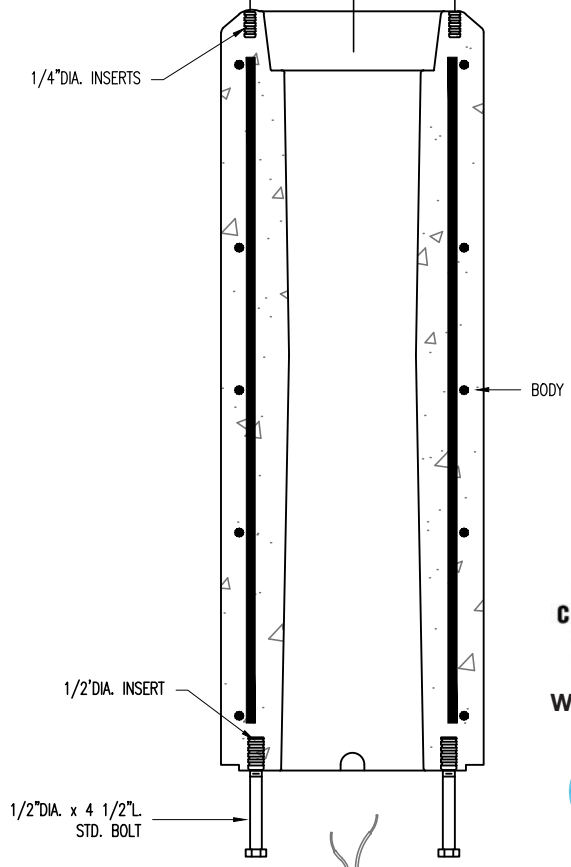
SECTION VIEW

<p>ARCHITECTURAL LANDSCAPE & OUTDOOR LIGHTING</p>	PLAN TYPE	CONSTRUCTION PLAN	DATE	2/8/17	FILE NO.	072_QS_1ALB_304	SHEET	X
	PRODUCT	SPJ-PCL-QS-1ALB LIGHTED BOLLARD SQUARE	SCALE	1 1/2" = 1'	DRAWN BY:	-	OF	X
	PROJECT NAME	-	PC. NO.	-	QC ITEM NO.	-		

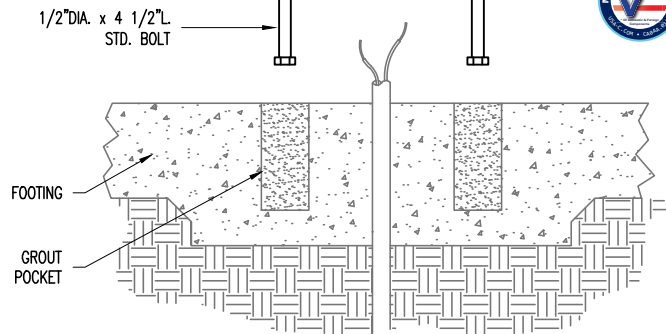


INSTALLATION NOTES:

1. CAST-IN OR CORE DRILL (4) 1-1/2\"/>



Wet Listed



SECTION VIEW

HARDWARE LIST	
QTY	TYPE
1	LIGHT GRILL
1	ACRYLIC LENS
1	LIGHT BULB W/ELECT. UNIT & GROUND SCREW
4	1/4\"/>
2	1/4\"/>
3	1/2\"/>

	PLAN TYPE	CONSTRUCTION PLAN	DATE	2/8/17	FILE NO.	072_QS_1ALB_404	SHEET	X
	PRODUCT	SPJ-PCL-QS-1ALB LIGHTED BOLLARD SQUARE	SCALE	1 1/2" = 1'	DRAWN BY:	-	OF	X
	PROJECT NAME	-	PC. NO.	-	QC ITEM NO.	-		