



# Forever Bright

## SPECIFICATION FEATURES



Model: **FB-Cylinder**

- Finish:** Our naturally etched finishes will withstand the test of time. All finishes are individually treated insuring consistency. Our meticulous application results in a fixture that truly becomes "a one of a kind".
- Electrical:** Available in 8-15V
- Labels:** ETL Standard Wet Label  
C-ETL

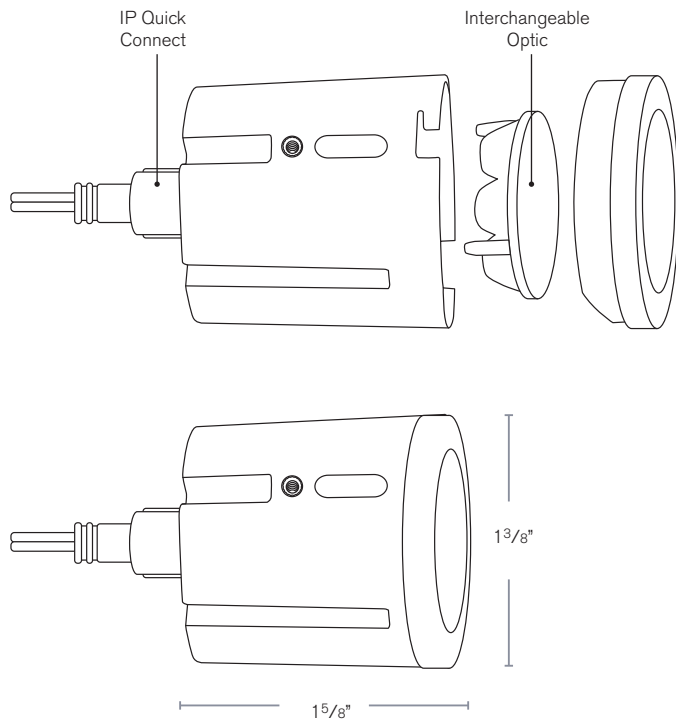
### Forever Bright Engine

#### DESCRIPTION

**Model#:** FB-Cylinder  
**Electrical:** 8V-15V

- FB-CYLINDER**  
 FB-1W-CYL-TA16  
 FB-2W-CYL-TA16  
 FB-3W-CYL-TA16  
 FB-6W-CYL-TA16  
 8-15v

**Turtle  
 Friendly**



*New twist and lock cap allows user to change optic beam spread in a snap!*



Wet Listed



#### ORDERING INFORMATION

Model#	Wattage	Lumens	Color Temp.	Optics	Electrical
<b>FB-1W-CYL-TA16</b>	<b>1W</b>	<b>80</b>	<b>2200K</b>	<b>SPOT</b>	<b>8-15V</b>
FB-1W-CYL-TA16	1W	80	2200K	SPOT	8-15V
FB-2W-CYL-TA16	2W	150	2700K	FLOOD	
FB-3W-CYL-TA16	3W	200	4000K	WIDE FLOOD	
FB-6W-CYL-TA16	6W	300	5000K AMBER	WIDE ANGLE FLOOD	