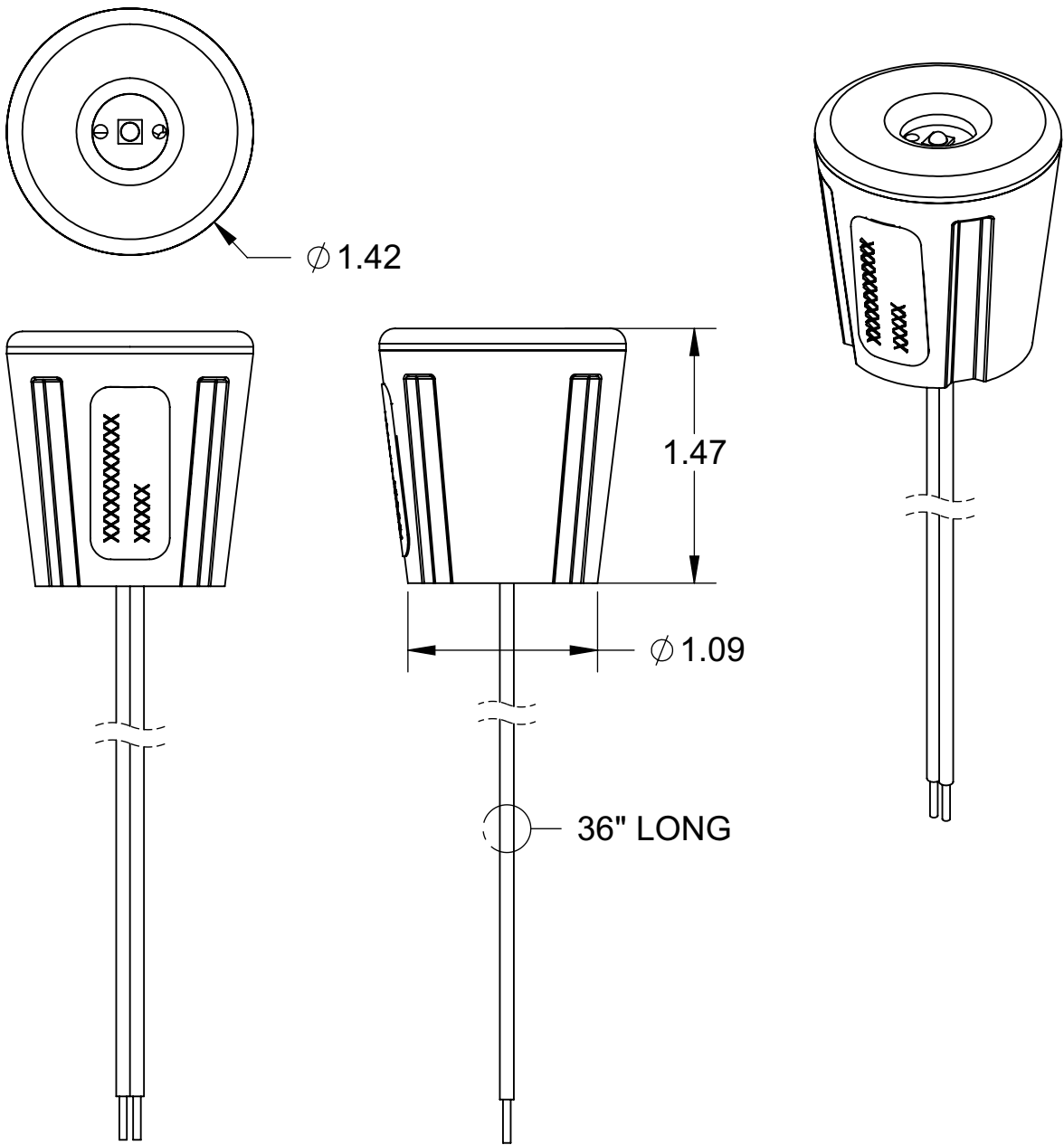


8 7 6 5 4 3 2 1

REVISIONS					
ZONE	REV.	DESCRIPTION	DATE	ECO NO.	APPROVED



<b>DIMENSIONS ARE IN INCHES [mm]</b>		CAD GENERATED DRAWING BY SOLIDWORKS DO NOT MANUALLY UPDATE			
TOLERANCES (UNLESS OTHERWISE SPECIFIED)		APPROVALS	DATE		
XX	± .01 [.25]	DRAWN	-		
XXX	± .005 [.125]	CHECKED	-		
Ø's	± .005 [.125]	ENGINEER	-		
ANGLE	± .5°	APPROVED	-		
MATERIAL				SIZE	DWG. NO.
FINISH				<b>B</b>	
		INTERPRET GEOMETRIC TOLERANCING PER ANSI Y14.5M		SCALE: 1:1	THIRD ANGLE PROJECTION
				SHEET 1 OF 1	REV.

D  
C  
B  
A

D  
C  
B  
A

8 7 6 5 4 3 2 1

Model File: SUB\_ASSY\_SPU\_LIGHT\_ENGINE