



Forever Bright

SPECIFICATION FEATURES

Revolution the Innovation

- Flex-Link
- Precise Full Range Warm Dimming
- Field Changeable
- IP67 Connector
- Flexibility
- EZ Maintenance

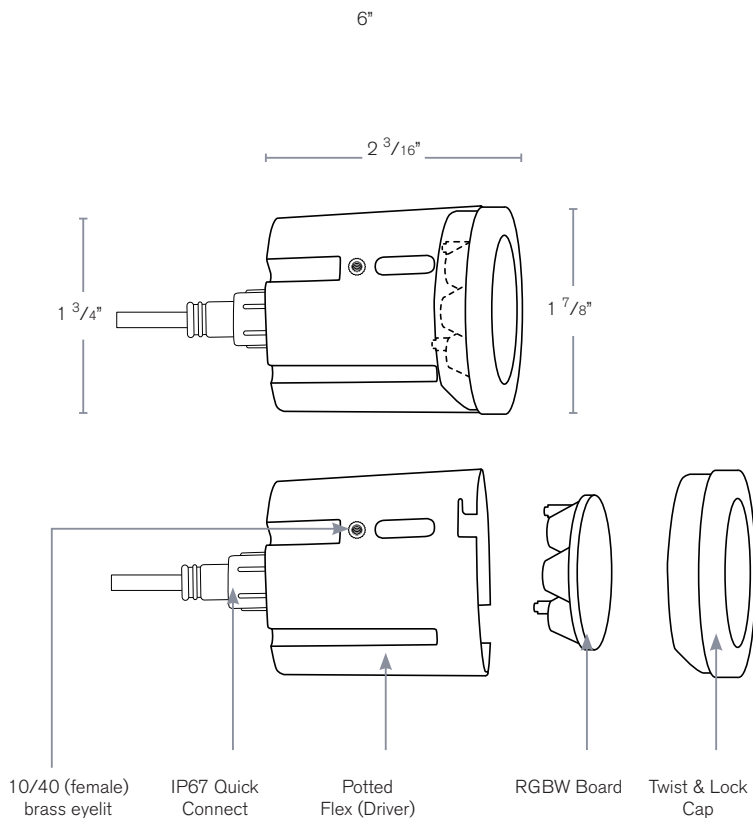


Model: **FB-6W-CYL-RGBW**

Forever Bright Flex-Link Engine

DESCRIPTION

Model#: FB-6W-CYL-RGBW
Electrical: 8-15V
Engine: FB-6W-CYL-RGBW
Lumens: 300
Glass: White
Color Temp: 2700k



Wet Listed



ORDERING INFORMATION

Model#

FB-6W-CYL-RGBW

FB-6W-CYL-RGBW

Finishes

B

V = Verde
M = Moss
AG = Aged Brass
MBR = Matte Bronze
SB = Satin Brass
GM = Gun Metal
B = Black
R = Rusty
PVDP = PVD Polished
PVDS = PVD Satin

Lumens

300

300

Color Temp.

2700K

2700K
4000K
5000K
6500K

Electrical

8-15V

8-15V