

PRODUCT: SPJ-PCL-A42-SM

WEIGHT: 114 lbs.



Wet Listed



QUANTITY: ___

CONCRETE COLOR:

- COAST
- CONCRETE
- CARBON
- CLAY
- BARK

CONCRETE TEXTURE:

- ETCHED
- POLISHED

SEALER: STD. SEALER 4200

GENERAL PRODUCT NOTES:

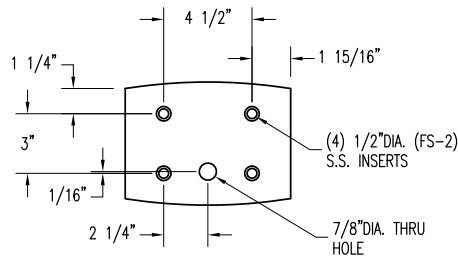
E = EXPOSED FINISHED SURFACE

INSTALLATION IS REQUIRED BY OTHERS.

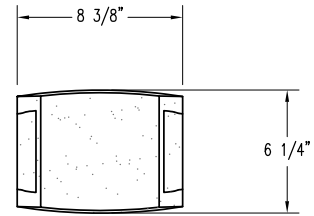
ALL EDGES TO BE EASED.

MANUFACTURING TOLERANCE $\pm 1/4"$.

2700K STANDARD ELECTRICAL TEMPERATURE: 120-277V



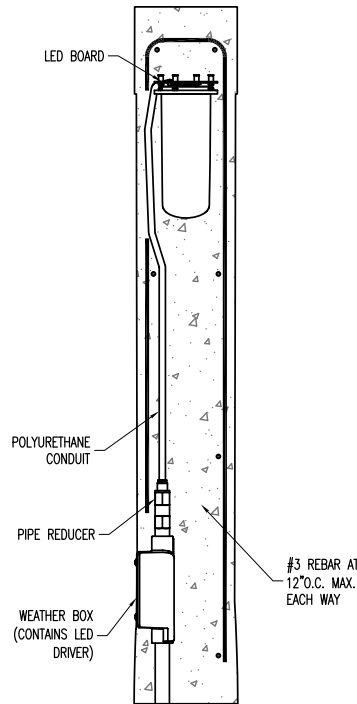
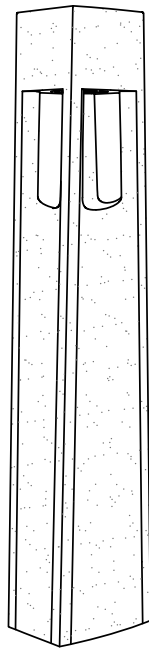
BOTTOM VIEW



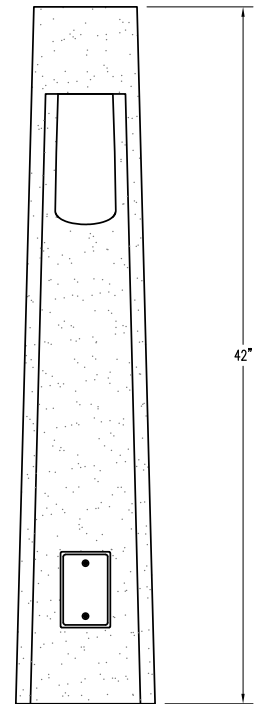
PLAN VIEW



PERSPECTIVE VIEW



SECTION VIEW



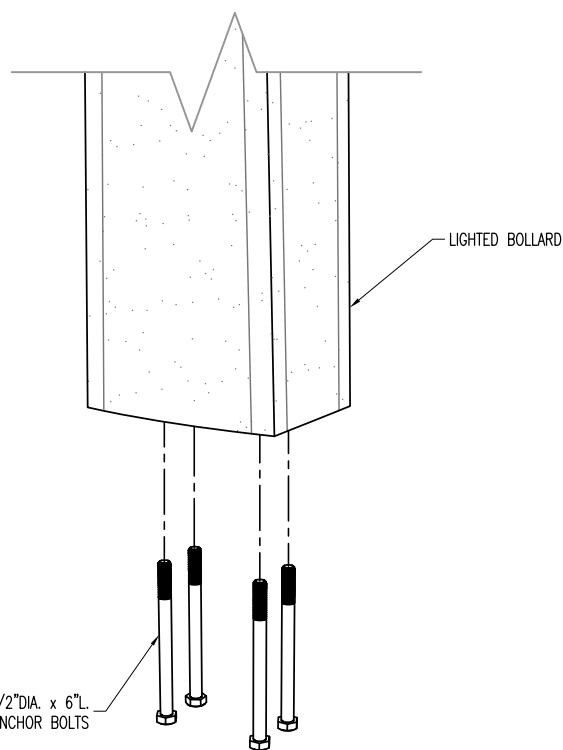
ELEVATION VIEW

SPJ LIGHTING Inc.
ARCHITECTURAL LANDSCAPE & OUTDOOR LIGHTING

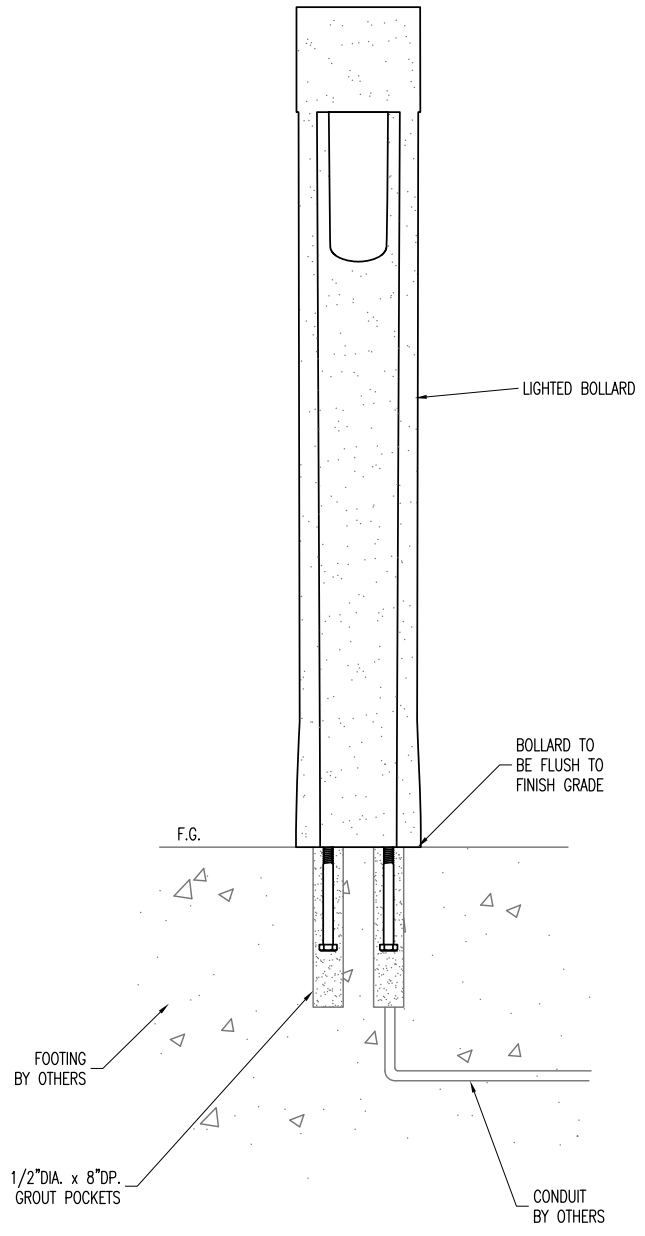
PLAN TYPE	CONSTRUCTION PLAN	DATE	11/3/20	FILE NO.	018_ST-BOL-A42-SM	SHEET	1
PRODUCT	SPJ-PCL-A42-SM LIGHTED BOLLARD SURFACE MOUNT	SCALE	1 1/4" = 1'	DRAWN BY:	W.R.	OF	
PROJECT NAME		PC. NO.		QC ITEM NO.			2



Wet Listed



PERSPECTIVE VIEW
N.T.S.



INSTALLATION VIEW
N.T.S.

<p>ARCHITECTURAL LANDSCAPE & OUTDOOR LIGHTING</p>	PLAN TYPE	INSTALLATION PLAN	DATE	FILE NO.	SHEET
	PRODUCT	SPJ-PCL-A42-SM LIGHTED BOLLARD SURFACE MOUNT	11/3/2018	18a_ST-BOL-A42-SM IN	2
	PROJECT NAME		SCALE	DRAWN BY:	OF
			1 1/4" = 1'	W.R.	2
			PC. NO.	QC ITEM NO.	