

PRODUCT: SPJ-PCL-A42-BG

WEIGHT: 138 lbs.



Wet Listed



CONCRETE COLOR:      CONCRETE TEXTURE:

QUANTITY: \_\_\_

- COAST
- CONCRETE
- CARBON
- CLAY
- BARK

- ETCHED
- POLISHED

SEALER: STD. SEALER 4200

GENERAL PRODUCT NOTES:

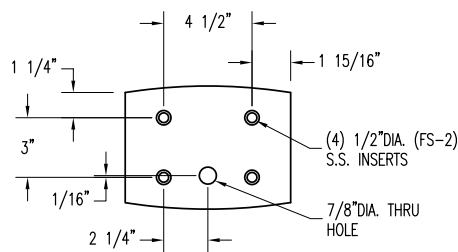
E = EXPOSED FINISHED SURFACE

INSTALLATION IS REQUIRED BY OTHERS.

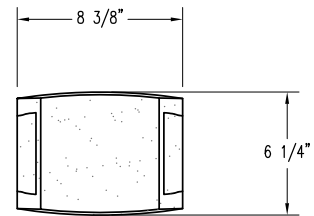
ALL EDGES TO BE EASED.

MANUFACTURING TOLERANCE  $\pm 1/4"$ .

2700K STANDARD ELECTRICAL TEMPERATURE: 120-277V



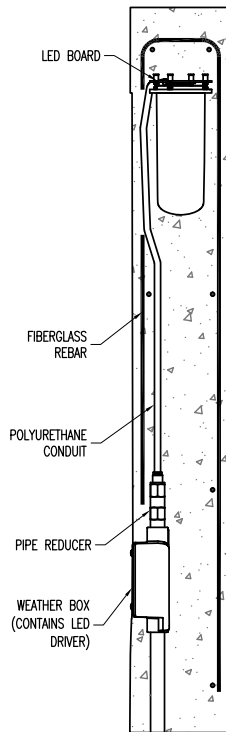
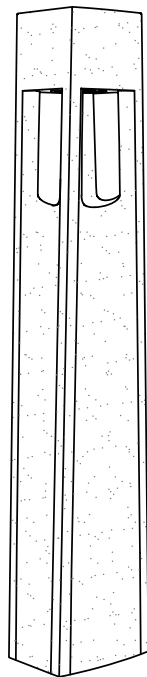
BOTTOM VIEW



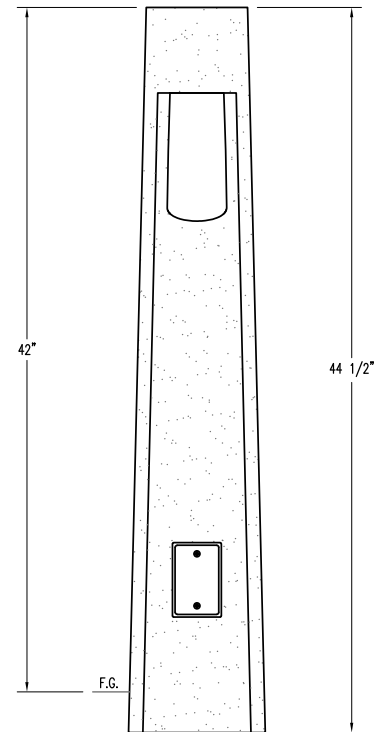
PLAN VIEW



PERSPECTIVE VIEW



SECTION VIEW



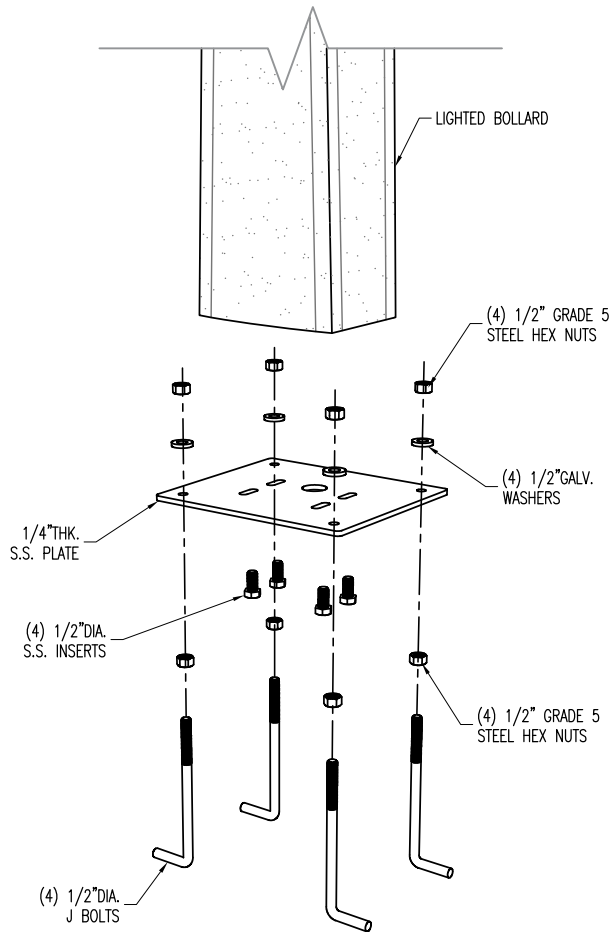
ELEVATION VIEW

**SPJ LIGHTING Inc.**  
ARCHITECTURAL LANDSCAPE & OUTDOOR LIGHTING

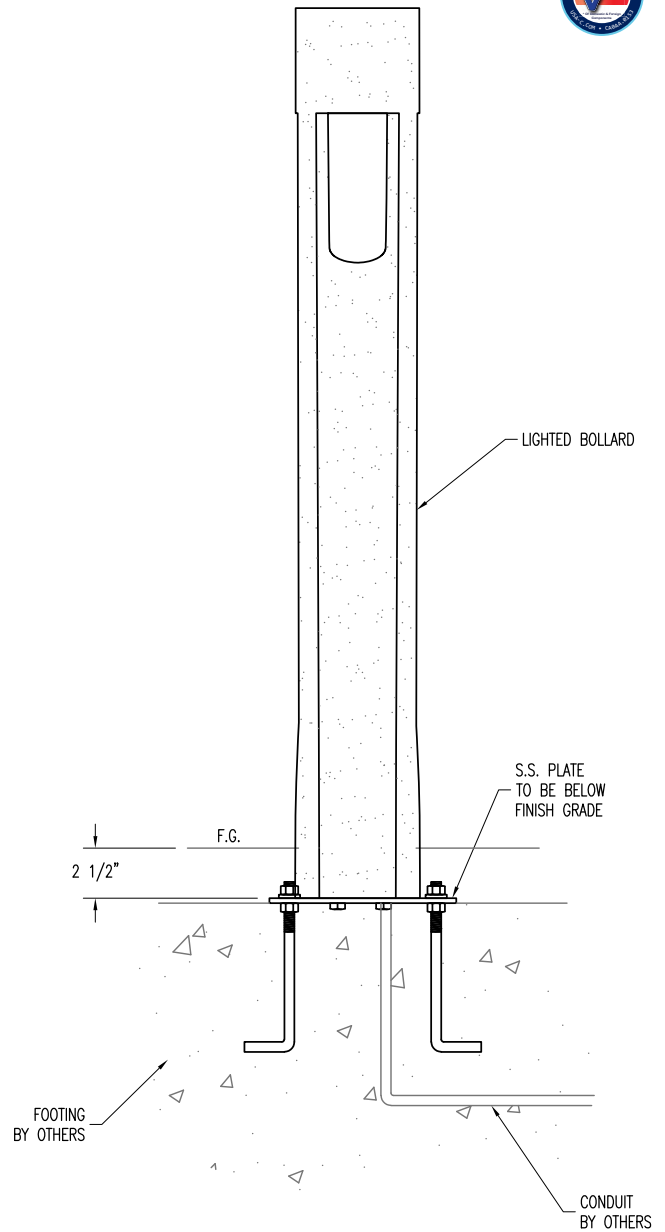
PLAN TYPE	CONSTRUCTION PLAN	DATE	11/3/20	FILE NO.	017_ST-BOL-A42-BG	SHEET	1
PRODUCT	SPJ-PCL-A42-BG   LIGHTED BOLLARD   BELOW GRADE	SCALE	1 1/4" = 1'	DRAWN BY:	W.R.	OF	
PROJECT NAME		PC. NO.		QC ITEM NO.			2



Wet Listed



PERSPECTIVE VIEW  
N.T.S.



INSTALLATION VIEW  
N.T.S.

<p>ARCHITECTURAL LANDSCAPE &amp; OUTDOOR LIGHTING</p>	PLAN TYPE	INSTALLATION PLAN	DATE	FILE NO.	SHEET
	PRODUCT	SPJ-PCL-A42-BG   LIGHTED BOLLARD   BELOW GRADE	11/3/20 017a_ST-BOL-A42-BG IN	DRAWN BY:	2
	PROJECT NAME		SCALE	W.R.	OF
			1 1/4" = 1'	QC ITEM NO.	2