

PRODUCT: SPJ-PCL-A36-SM

WEIGHT: 88 lbs.



Wet Listed



CONCRETE COLOR:

- COAST
- CONCRETE
- CARBON
- CLAY
- BARK

CONCRETE TEXTURE:

- ETCHED
- POLISHED

QUANTITY: ___

SEALER: STD. SEALER 4200

GENERAL PRODUCT NOTES:

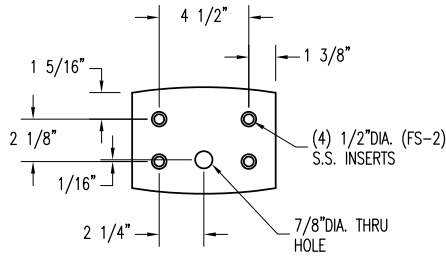
E = EXPOSED FINISHED SURFACE

INSTALLATION IS REQUIRED BY OTHERS.

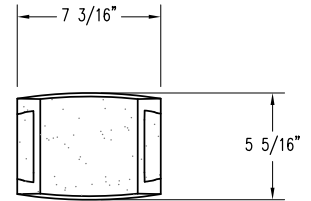
ALL EDGES TO BE EASED.

MANUFACTURING TOLERANCE $\pm 1/4"$.

2700K STANDARD ELECTRICAL TEMPERATURE: 120-277V



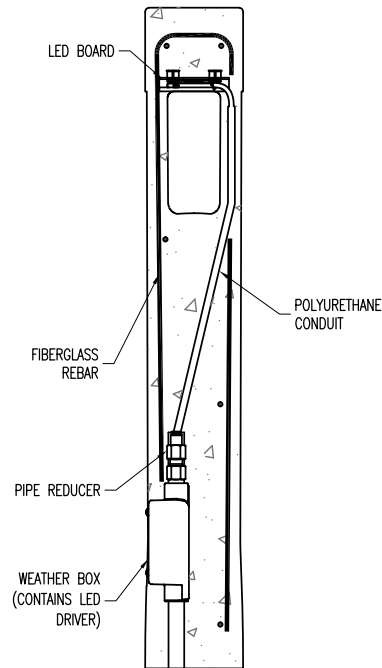
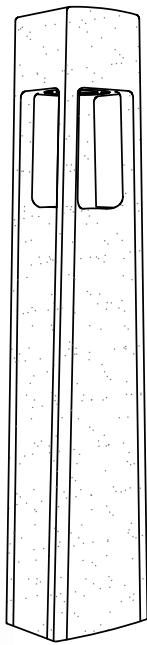
BOTTOM VIEW



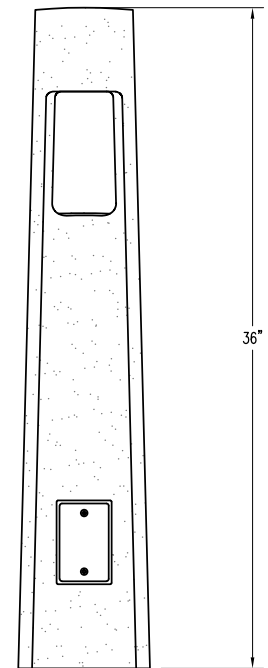
PLAN VIEW



PERSPECTIVE VIEW



SECTION VIEW

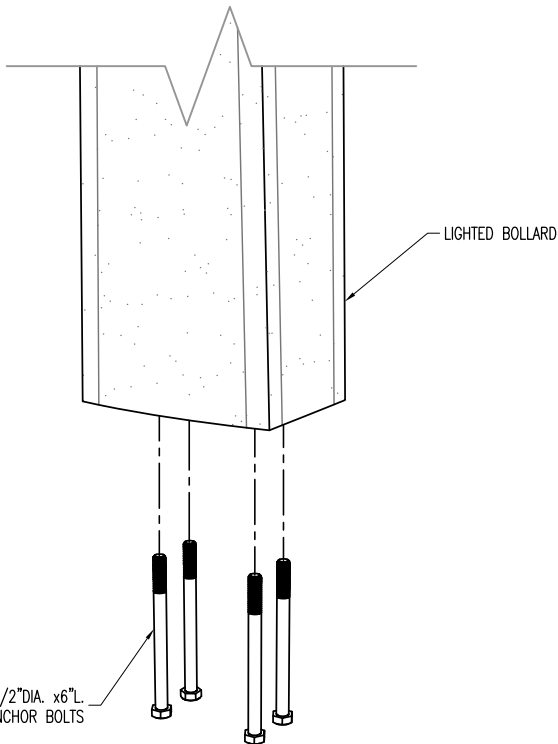


ELEVATION VIEW

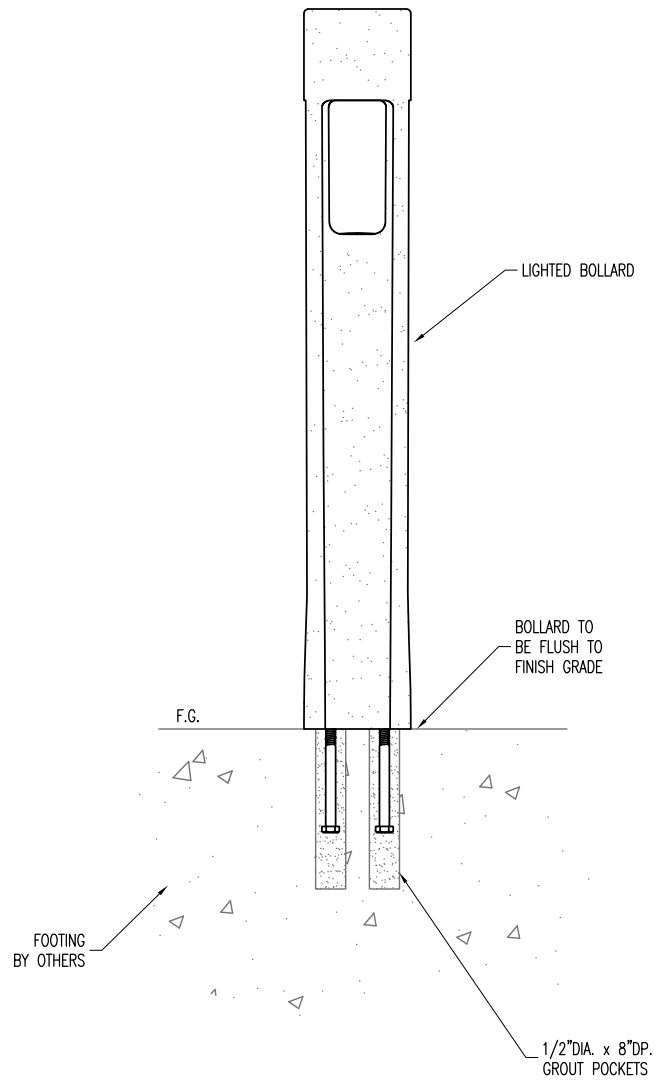
<p>ARCHITECTURAL LANDSCAPE & OUTDOOR LIGHTING</p>	PLAN TYPE	CONSTRUCTION PLAN	DATE	FILE NO.	SHEET
	PRODUCT	SPJ-PCL-A36-SM LIGHTED BOLLARD SURFACE MOUNT	11/3/20	016_ST-BOL-A36-SM	1
	PROJECT NAME		SCALE	DRAWN BY:	OF
			1 1/4" = 1'	W.R.	2
			PC. NO.	QC ITEM NO.	



Wet Listed



PERSPECTIVE VIEW
N.T.S.



INSTALLATION VIEW
N.T.S.

<p>ARCHITECTURAL LANDSCAPE & OUTDOOR LIGHTING</p>	PLAN TYPE	INSTALLATION VIEW	DATE	FILE NO.	SHEET
	PRODUCT	SPJ-PCL-A36-SM LIGHTED BOLLARD BELOW GRADE	11/3/2016	16a_ST-BOL-A36-SM	2
	PROJECT NAME		SCALE	DRAWN BY:	OF
			1 1/4" = 1'	W.R.	2
			PC. NO.	QC ITEM NO.	