

Model: **BB30W**

## Forever Bright

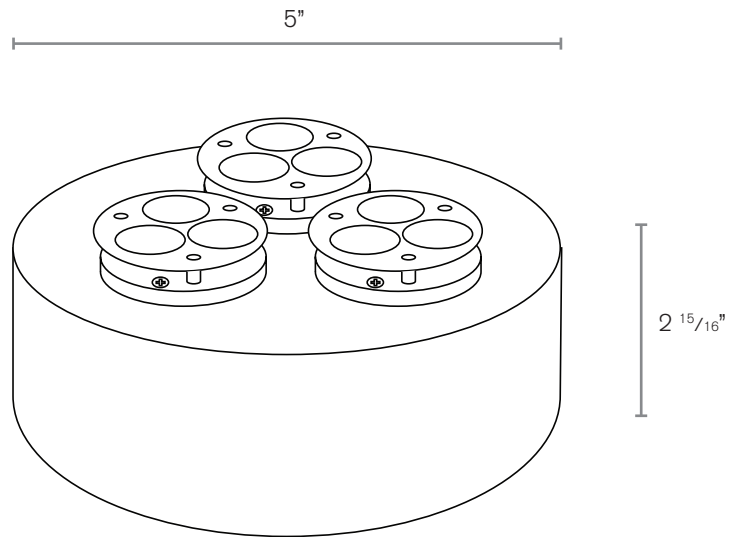
### SPECIFICATION FEATURES

- Finish:** Our naturally etched finishes will withstand the test of time. All finishes are individually treated insuring consistency. Our meticulous application results in a fixture that truly becomes "a one of a kind".
- Electrical:** Available in 12v-15v, 120v, 277v
- Labels:** ETL Standard Wet Label  
C-ETL



### DESCRIPTION

- Model:** BB30W
- Electrical:** 12v-15v, 120v, 277v
- Color Temp:** 2700K
- Lumens:** 900



### ORDERING INFORMATION

Model#	Lumens	Color Temp.	Electrical
BB30W	900	2700K	12-15V
			120v 277v