

E R I C A T A N O V

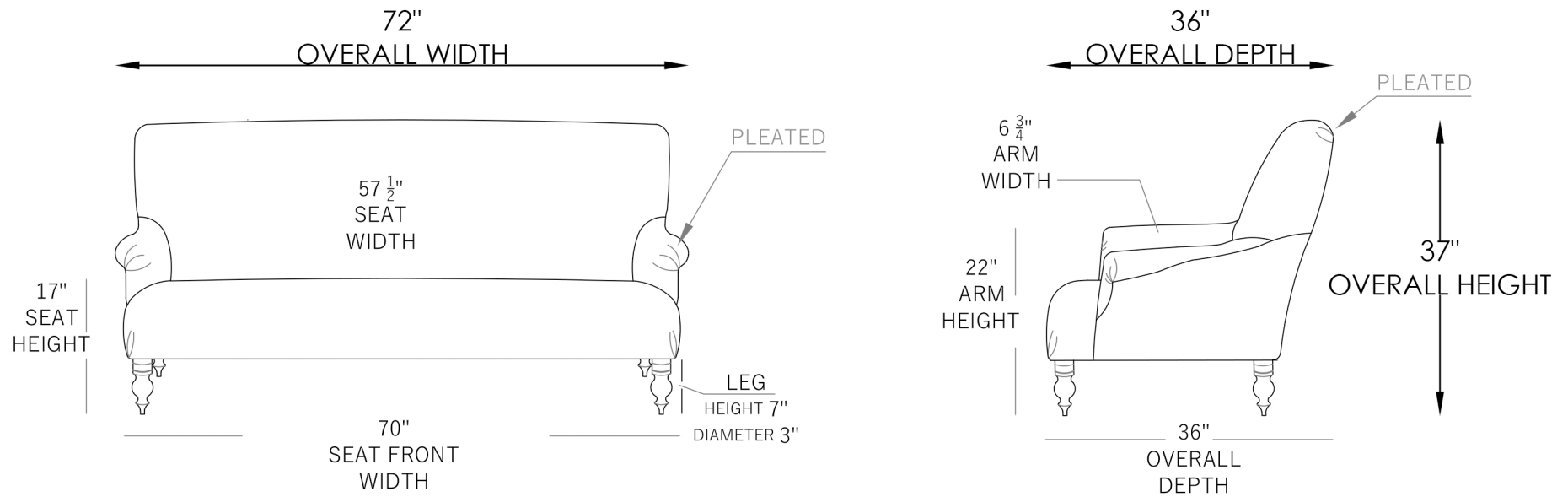
YVES SOFA



1808 Fifth Street Berkeley, California 94710 | [studio@ericatanov.com](mailto:studio@ericatanov.com) | [www.ericatanov.com](http://www.ericatanov.com)

# ERICA TANOV

## YVES SOFA



IMPORTANT NOTES:	
1	EXPOSED LEGS WOOD.
2	PLEATED ON ARM, PLATAFORM FRONT AND SIDE BACK

# ERICA TANOV

## YVES SOFA



Inspired by Modernist forms of the 1920's and 1930's, The Yves Sofa is a modern interpretation of old world design. Meticulously handcrafted with a fully upholstered frame, the Yves Loveseat is distinguished by solid, hand-turned wood legs and a gracefully sloped back. Framed by sleek, low slung arms, the deep seat gradually widens, offering exceptional comfort. Soft, balanced hand-sewn cushions are filled with Trillium, a luxurious, durable down alternative, and layered over a high-density foam core.

Handcrafted in Mexico. Our exclusive furniture designs are made to order using an entirely bench made process. Lead time 8 - 10 weeks.

Available in an range of exclusive fabrics, as well as COM for trade members.

Furniture orders are final sale and may not be returned, cancelled, or exchanged.

White Glove Shipping and delivery costs determined after order placement.