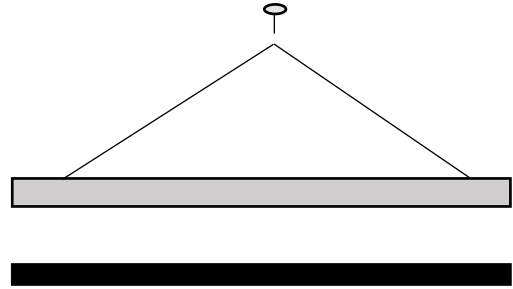


## Poster Hangers Guide



Hanging Cord Attached to top Wooden Rail

X1 Piece of Oak

X1 Magnetic Strip With groove line one side.

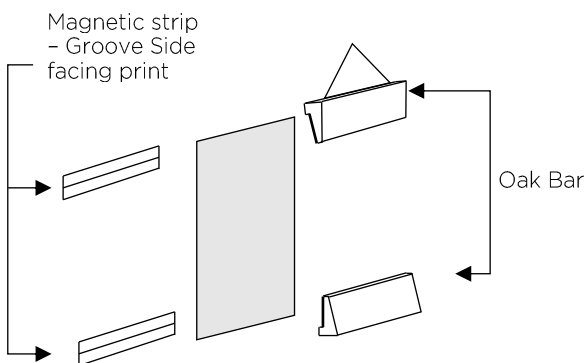
X1 Brass Pin



Bottom Rail

X1 Piece of Oak

X1 Magnetic Strip with Groove Line one side.



Sandwich your print or poster with the oak bar on the front and the magnetic strip (groove side down) placed on the back. The back of the oak has a magnetic strip already attached and if the removable magnetic strip is not used groove side down then it will not be strong enough to keep your poster or print in place.

