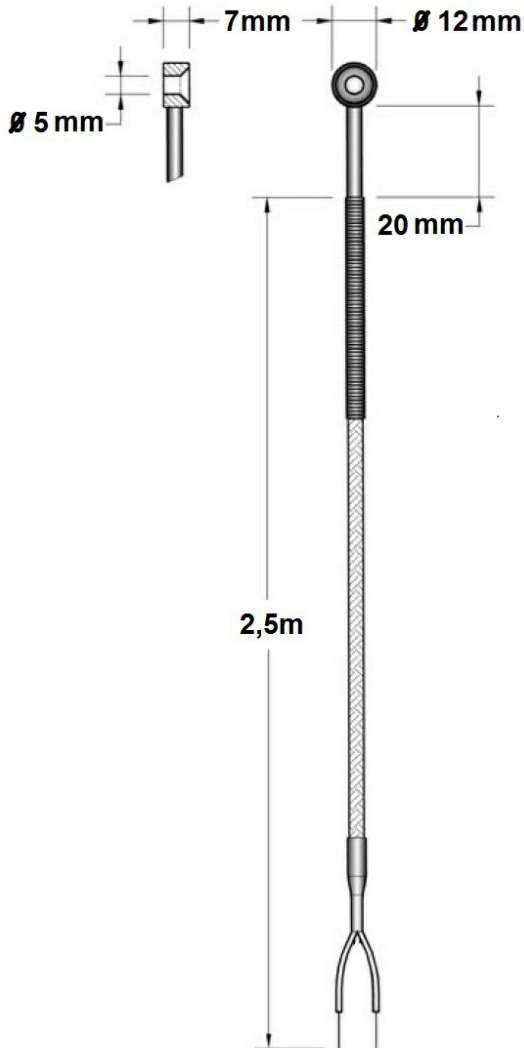
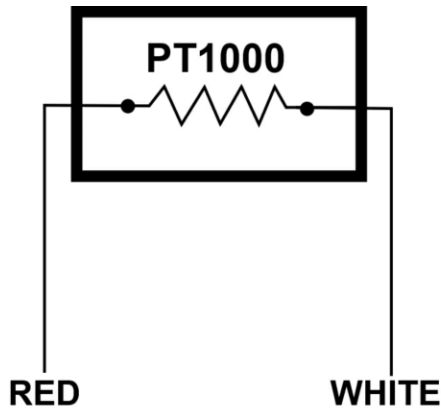


## Dimensions for OAT Probe cod.601020



## Electrical connections for OAT Probe cod.601020



### Technical specifications

Sensor type	PT1000
Sensor design	Cylindrical M5
Operating temperature	-40 ~ +200 °C
Cable length	2,5 m
Materials	Probe fixing ring: Brass Sheath: Stainless steel