

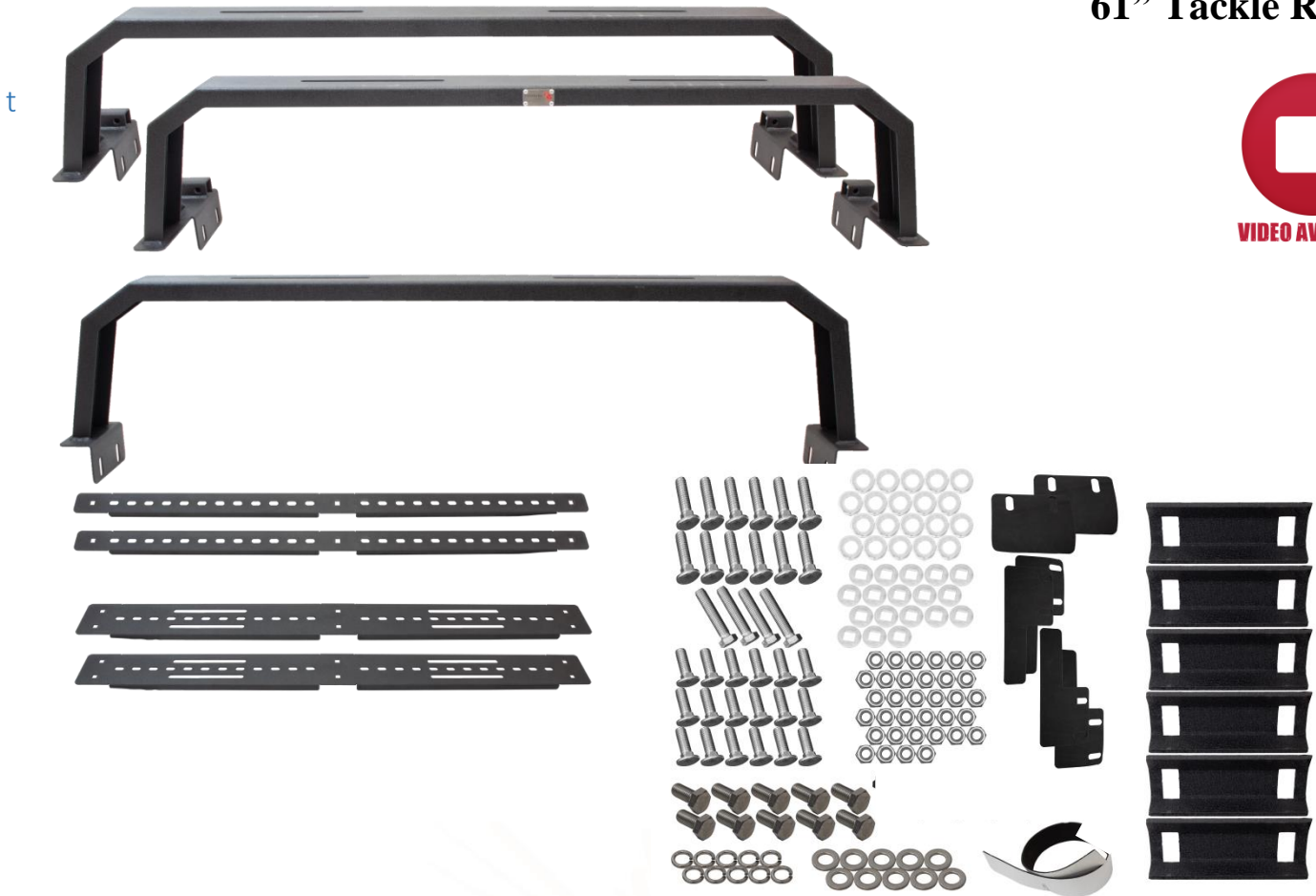


INSTALLATION INSTRUCTIONS

PART No.

FB21323

**88-Current Chevy Silverado/GMC Sierra
61" Tackle Rack**



REQUIRED TOOLS

- Utility Knife
- Ratchet
- 19MM Socket
- 19MM Wrench

Thread Locker (Trim dependent)

KIT CONTAINS

- Foam Padding-Roll
- Foam Padding-"L"
- Foam Padding-Center Mounts
- Arch Braces
- Side Support Braces
- Top Support Braces
- Bed Channel Mount Brackets
- M12 – 1.75 x 30mm Carriage Bolt
- M12 – 1.75 x 50mm Carriage Bolt
- Carriage Bolt Washers
- M12 Washer 24mm OD
- M12 – 1.75 Hex Nut
- M12 – 1.75 x 60mm Hex Bolt
- M12 – 1.75 x 25mm Hex Bolt
- M12 – Lock Washer
- Spacer

QTY

- 1
- 4
- 2
- 3
- 2
- 2
- 6
- 18
- 12
- 18
- 20
- 34
- 4
- 10
- 10
- 2

2132300

INSTALLATION INSTRUCTIONS

PART No.

FB21323

**88-Current Chevy Silverado/GMC Sierra
61" Tackle Rack**

1) PREPARE

Prior to installation, apply the adhesive foam padding so that it covers any vehicle contact points, arch and support brace connections, or where you feel it's needed.



2) INSTALL ARCH BRACES

Place the arches on the bed. The 2 arches with the larger brackets belong on the outside.



The arch with our signature plate in the center faces the rear. Spacing will be determined by the support braces.



3) INSTALL TOP SUPPORT BRACES

Start installing the two thinner support braces. With 6 of the 30mm bolts, Carriage Bolt Washers, Lock Washers, and Hex Nuts (in that order), loosely secure them to the top of the arches in your desired locations.



4) INSTALL SIDE SUPPORT BRACES

Loosely install the larger braces onto the sides of the arches, again using 6 bolt sets.



INSTALLATION INSTRUCTIONS

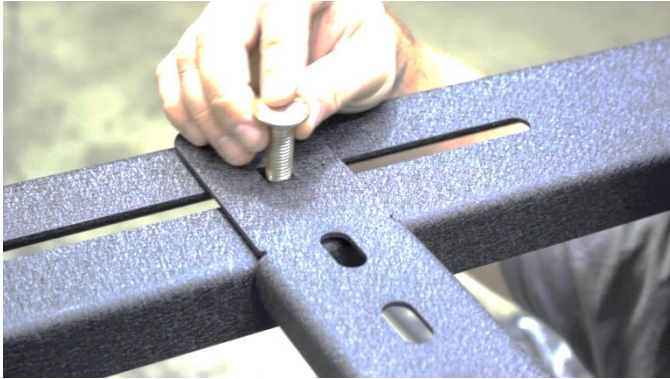
PART No.

FB21323

**88-Current Chevy Silverado/GMC Sierra
61" Tackle Rack**

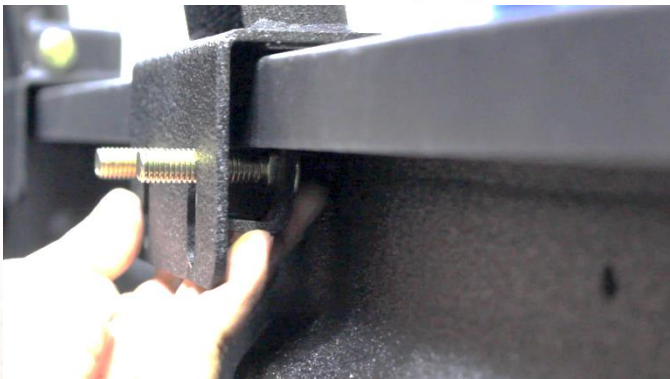
5) ADJUST SUPPORT BRACES

Slide the braces around to your liking and tighten them down using a 19mm socket.



6) INSTALL BED CHANNEL MOUNT BRACKETS

Begin securing the rack to the bed by inserting two 50mm bolts into the included channel brackets as shown. Rotate it behind the arch bracket and push it high up against the plastic. With a 19mm socket, tighten down a nut and washer while ensuring it clamps onto the bed. Repeat for the remaining 5 brackets.

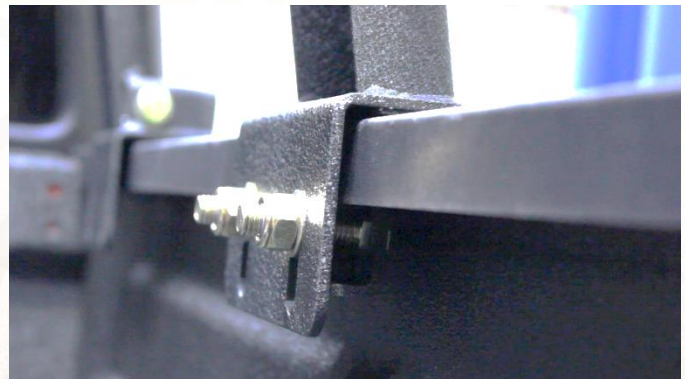


The 2 Arch brackets closest to the cab will require the included Spacers as the bed has a tapered shape and is wider at these points. Slide the spacer just behind the arch bracket, followed by the channel brackets.



7) ACCESSORY MOUNTS

Using the 4 60mm bolts, washers, and nuts, secure the hardware into the accessory mounts for future use.



ENJOY YOUR NEW FISHBONE OFFROAD BED RACK!