

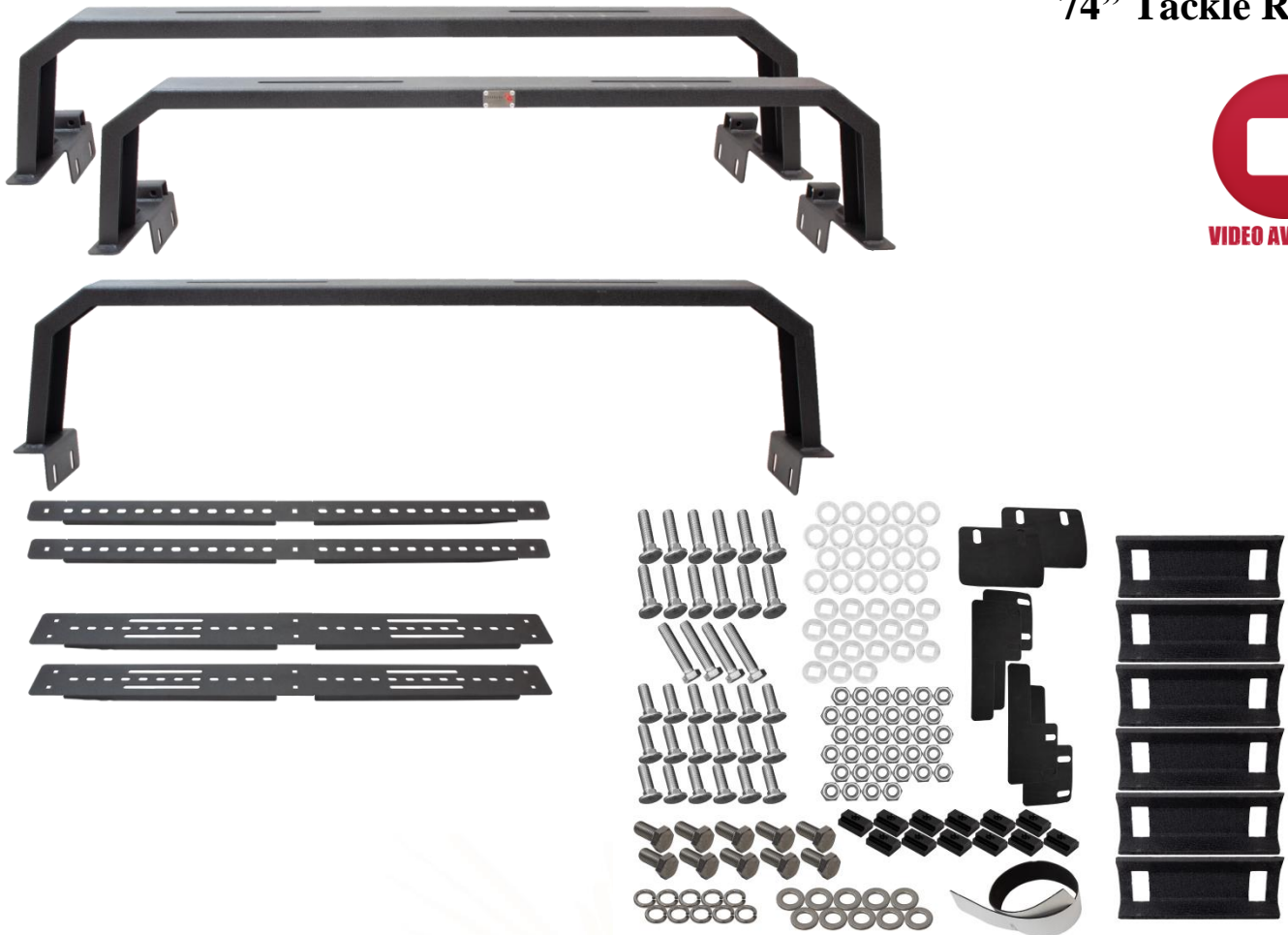


INSTALLATION INSTRUCTIONS

PART No.

FB21245

**Toyota® Tacoma
74" Tackle Rack**



REQUIRED TOOLS

Utility Knife
Ratchet
19MM Socket
19MM Wrench

Thread Locker (Trim dependent)

KIT CONTAINS

Foam Padding-Roll
Foam Padding-"L"
Foam Padding-Center Mounts
Arch Braces
Side Support Braces
Top Support Braces
Bed Channel Mount Brackets
M12 – 1.75 x 30mm Carriage Bolt
M12 – 1.75 x 50mm Carriage Bolt
Carriage Bolt Washers
M12 Washer 24mm OD
M12 – 1.75 Hex Nut
M12 – 1.75 x 60mm Hex Bolt
M12 – T Nut
M12 – 1.75 x 25mm Hex Bolt
M12 – Lock Washer

QTY

1
4
2
3
2
2
6
18
12
18
20
34
4
10
10
34

2124500

1) PREPARE

Prior to installation, apply the adhesive foam padding so that it covers any vehicle contact points, arch and support brace connections, or where you feel it's needed.



2) INSTALL ARCH BRACES

Place the arches on the bed. The 2 arches with the larger brackets belong on the outside.



The arch with our signature plate in the center faces the rear. Spacing will be determined by the support braces.



3) INSTALL TOP SUPPORT BRACES

Start installing the two thinner support braces. With 6 of the 30mm bolts, Carriage Bolt Washers, Lock Washers, and Hex Nuts (in that order), loosely secure them to the top of the arches in your desired locations.



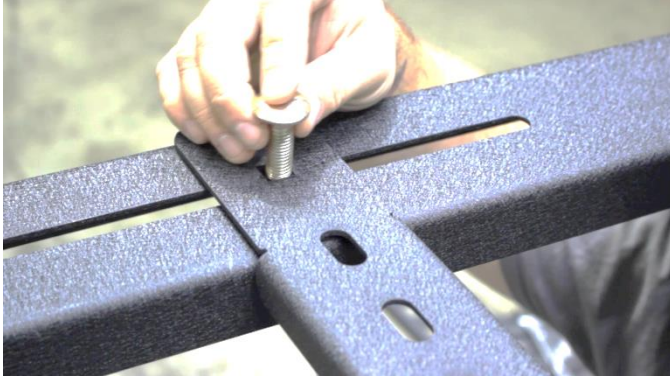
4) INSTALL SIDE SUPPORT BRACES

Loosely install the larger braces onto the sides of the arches, again using 6 bolt sets.



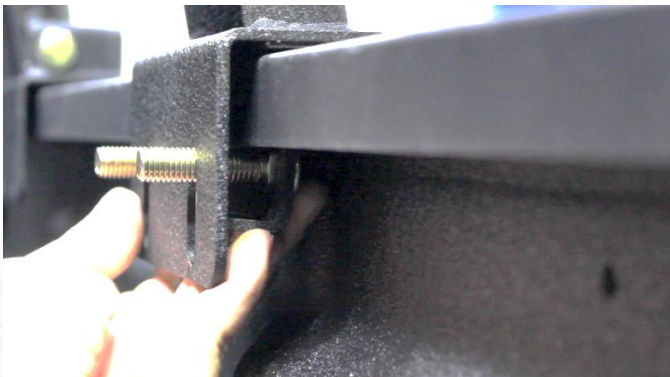
5) **ADJUST SUPPORT BRACES**

Slide the braces around to your liking and tighten them down using a 19mm socket.



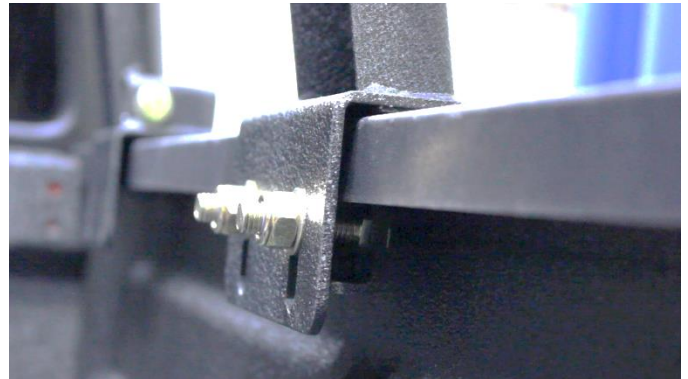
6) **INSTALL BED CHANNEL MOUNT BRACKETS**

Begin securing the rack to the bed by inserting two 50mm bolts into the included channel brackets as shown. Rotate it behind the arch bracket and push it high up against the plastic. With a 19mm socket, tighten down a nut and washer while ensuring it clamps onto the bed. Repeat for the remaining 5 brackets.



7) **ACCESSORY MOUNTS**

Using the 4 60mm bolts, washers, and nuts, secure the hardware into the accessory mounts for future use.



NOTE: If your vehicle comes with the Trail Rail, you will need to insert the included (12) T-Nuts, lining them up with each bracket.

The forward most bolt hole on each side will not be able to support a bolt and T-Nut due to the Rail's insert slot, and will be left empty [Shown below].



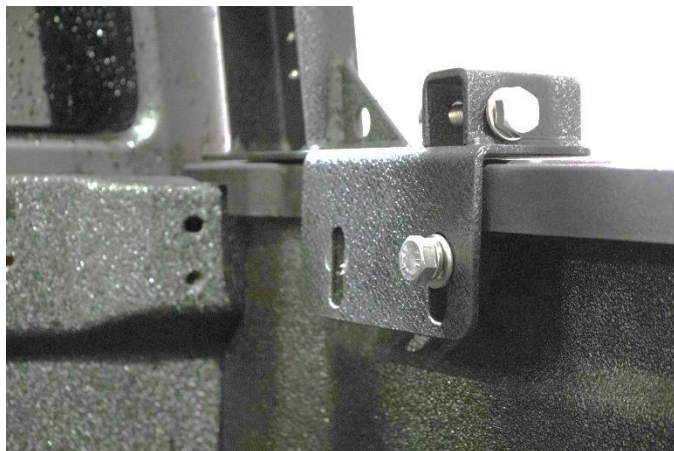


INSTALLATION INSTRUCTIONS

PART No.

FB21245

**Toyota® Tacoma
74" Tackle Rack**



Use the included Hex bolts, lock washers, flat washers, and thread locker and secure the Bed Rack down into the T-Nuts.

**ENJOY YOUR NEW FISHBONE OFFROAD TACOMA
BED RACK!**

