

# PS-12-M



## DEVICE

## Compact + 12V Power Supply for Photonics Lab

## OVERVIEW

The Optilab PS-12-M is a 12V DC power supply for photonics lab with integrated RS233 and USB communication interface. It is compatible with most Optilab module products requiring 12V DC power, such as lightwave transmitter modules and wavelength tunable laser modules. PS-12-M can transform 85V - 264V wide AC voltage into 12V voltage within less than 2% ripple and output via a DB-15 connector and an extra 4-pin connector as the DC output terminal. The DB-9 or USB connector provides easy communication connection to control the functions of the target module. PS-12-M also can be used as a general 12 VDC power supply for photonics modules.

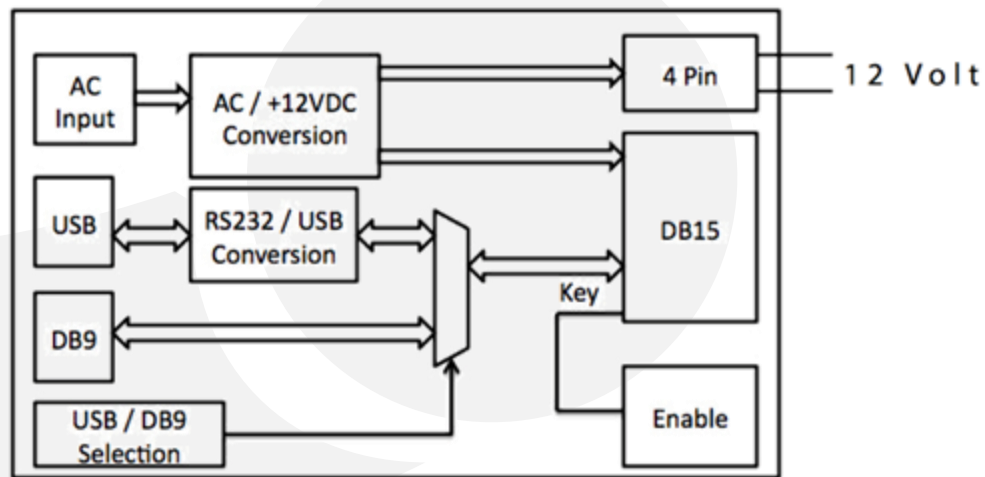
## FEATURES

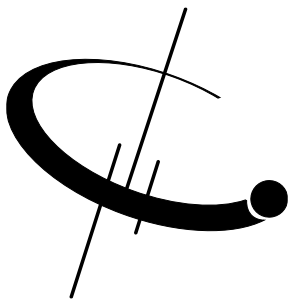
- High conversion efficiency
- Low ripple noise
- Up to 2A current
- Independent + 12V DC Output
- Dual interface RS233 and USB
- Switchable Communication interface
- Input voltage range 85 to 264 VAC
- High efficiency of >85%
- Space size 1.3" x 4.5" x 6.5"
- Lightweight < 0.5 kg

## USE IN

- + 12V DC power supply for LT Series lightwave transmitter.
- General purpose for photonics modules
- Replacing large and low efficiency laboratory power supplies

## FUNCTIONAL DIAGRAM





# PS-12-M

## SPECIFICATIONS

Input AC Voltage	85 - 264 VAC
Input AC Current	≤ 0.5 A
Input AC Frequency	50 - 60 Hz
Transfer Efficiency	≤ 85%
DC Output Current	≤ 2.1 A
DC Output Voltage	+12.0V ± 0.25 Volt
DC Voltage Ripple	≤ 2%
DC Power Output Connectors	DB - 15 and 2*2 PIN
Communication Connectors	DB - 9 and USB 2.0

## GENERAL

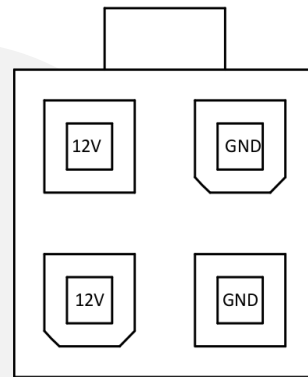
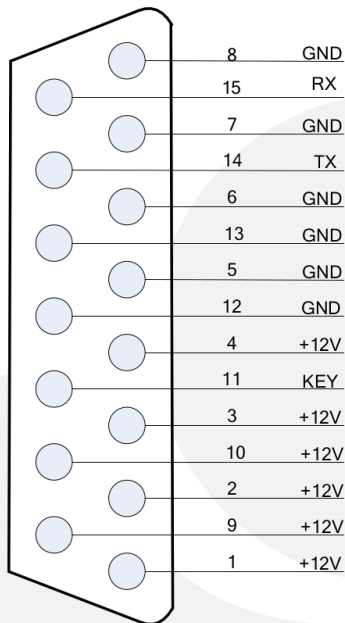
## MECHANICAL

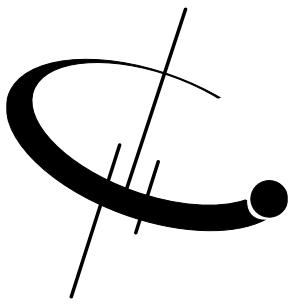
Operating Temperature	-10 °C to +70 °C
Storage Temperature	-40 °C to +85 °C
Operating Humidity	≤ 85%
Dimensions	153 mm x 115 mm x 33 mm
Weight	0.5 kg

## ELECTRICAL PIN OUT

### DB-15 Female Connector

### 4 Pin Male Connector





# PS-12-M

## MECHANICAL DRAWING

