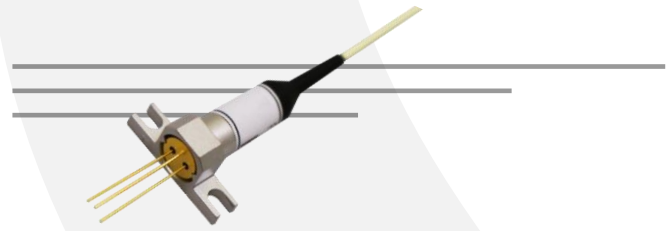




# PD-3



## DEVICE

## Linear InGaAs PIN Photodiode

## OVERVIEW

The Optilab PD-3 is an Linear InGaAs PIN photodiode with a multimode fiber pigtail designed for use in local area network, subscriber loop and high bit-rate transmission system applications up to 2.5 Gb/s at both 130nm and 1550nm wavelength. The PIN chip has photosensitivity area diameter of 50um with a planar structure and guard ring for high reliability. A multimode fiber is aligned to the hermetically sealed PIN diode. The optical alignment system has the high coupling stability

## FEATURES

- High Quantum Efficiency : 0.85 A/W
- Wide Spectral Response Range : 900nm ~ 1600nm
- Data Rates upto 2.5 GB/s
- Low Dark Current : 0.1nA

## USE IN

- Optical Transmission System
- Optical Communication
- Test and Measurement

## SPECIFICATIONS

### GENERAL

Responsivity	0.85 A/W typ.
Dark Current	1 nA typ.
Bandwidth	3 GHz typ
Capacitance	0.9 pF max.
Optical Return Loss	30dB typ.

### ABSOLUTE MAXIMUM

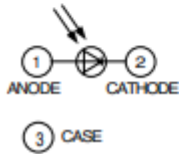
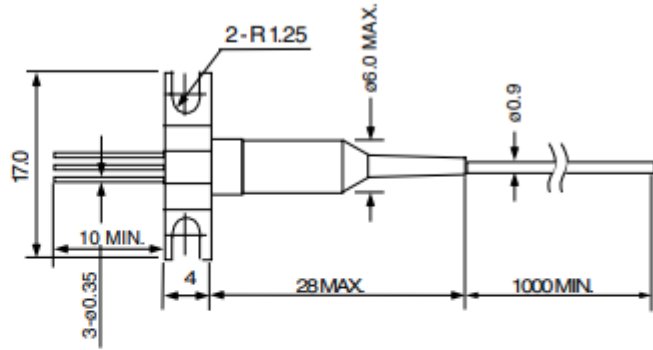
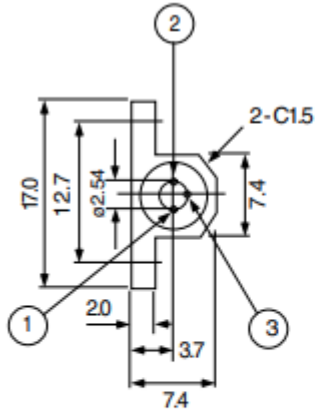
Storage Temperature	-40 ~ +90 °C
Operating Case Temperature	-40 ~ +85 °C
Forward Current	5 mA
Reverse Current	2 mA
Reverse Voltage	20 V





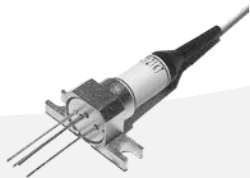
# PD-3

## MECHANICAL DRAWING



## RELATED PHOTORECEIVER

- PR-3



The Optilab PR-3 is Photoreceiver with PIN pre-amplifier inside package. It features 3GHz bandwidth. Contact Optilab for more details.

