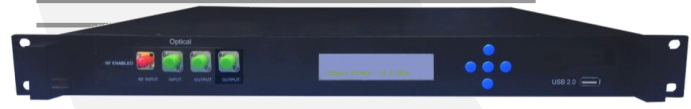


LTD-23



DEVICE

23 Gb/s Lightwave Transmitter with RF Driver

OVERVIEW

The Optilab LTD-23 is a C-band wavelength electrical to optical converter designed for applications requiring dynamic wavelength allocation and high bit-rate transmission. The LTD-23 transmitter utilizes a wide wavelength laser source, a driver, and a broadband optical modulator all in one cost-effective unit to provide pure and efficient modulation. These products are ideal for DWDM or TDM digital data transmission up to 23 Gb/s, and is also an excellent solution for electro-optic component characterization, DWDM networks, secure communication, and laboratory test and measurement. Contact Optilab for more information.

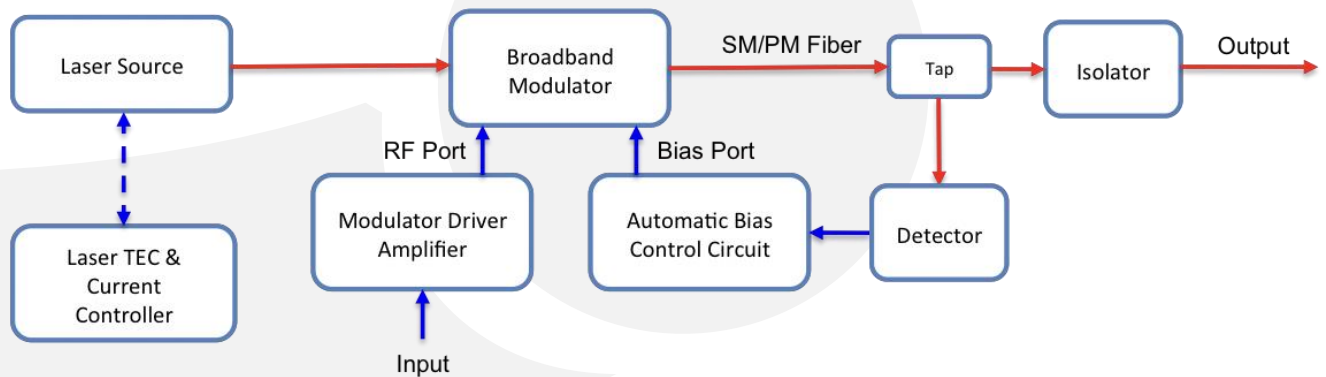
FEATURES

- RS-232 Monitor Interface
- Broadband RF Driver
- 1 year warranty
- RToF Transmitter with 20 GHz Bandwidth
- High Dynamic Range with low RIN Source Laser
- Highly Linear for Analog Transmission

USE IN

- RF Amplifiers
- DWDM Networks
- TDM digital data transmission
- Dynamic wavelength allocation
- High bit-rate transmission

FUNCTIONAL DIAGRAM





LTD-23

SPECIFICATIONS

DFB Laser Wavelength	1550 nm ± 10 nm, can be ordered w/ ITU wavelength
Operational Bandwidth	0.01 to 20 GHz
Optical Output Level	+4 dBm to +6 dBm
Optical Return Loss	40 dB typ.
Linewidth (FWHM)	1 MHz typical
DFB Side Mode Suppression Ratio	50 dB typ.
Relative Intensity Noise (RIN)	-145 dB/Hz max.
Impedance	50Ω
Frequency Response Flatness	± 0.5 dB in any 1 GHz bandwidth
VSWR	2.0:1 max.
RF Driver Gain	14 dB to 26 dB variable

GENERAL

Operating Temperature	10 °C to +40 °C
Storage Temperature	-40 °C to +70 °C
Operating Humidity	0% to 85% Relative Humidity
Power Supply Requirements	80 - 240 V, 43 - 63 Hz AC or 40 - 58 V DC (optional)
Power Consumption	80 W max.
Optical Connectors	FC/APC, FC/UPC, SC/APC, SC/UPC, PM (optional)
Fiber Type	SMF-28 (Single Mode), PANDA (Polarization Maintaining)
Alarms	Over Temperature, Over Current
Control	Current, Output Power, Bias Control Mode
Display	Current, Output Power, Wavelength, Bias Voltage
Dimensions	Rackmount 19" (W), 16" (L), 1.75" (H)
Accessories Included	110 -240 V AC Adaptor and Cable

MECHANICAL

ORDERING OPTIONS

LTD-23-xx
xx Output Type: SM or PM

EYE DIAGRAM W/ OPTIMAL BIAS POINT

