



LTB-12



DEVICE

12 GHz Lightwave Transmitter Modulator for OEM

OVERVIEW

The Optilab LTB-12 is a high performance Lightwave Transmitter Modulator designed for analog photonics applications from DC to 12 GHz. This unit includes a 10 GHz optical intensity modulator and an Automatic Bias Control (ABC) board with four different operating modes. The integrated internal DFB laser makes it a versatile solution for RFoF system integration. Contact Optilab for more information.

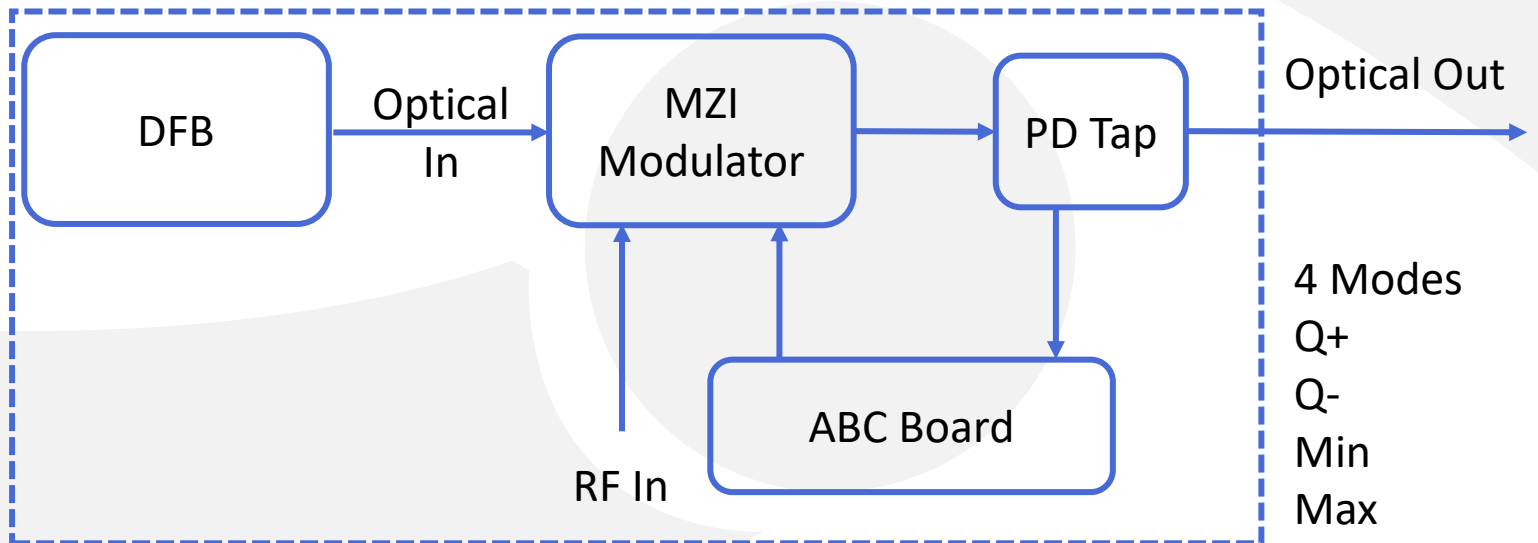
FEATURES

- 8 GHz S21 bandwidth modulator
- 1520 nm to 1610 nm wavelength range
- Automatic Bias Control w/ 4 mode operation
- Internal DFB laser up to 50 mW
- Customizable Options:
 - Low Drive Voltage
 - PM output
 - High Extinction Ratio (> 30 dB)

USE IN

- Sub-nanosecond pulse generation
- Optical communications to 25 Gb/s
- 12 GHz RFoF transmission
- Analog photonics
- RF/IF signal distribution
- Satellite communication

FUNCTIONAL DIAGRAM





LTB-12

SPECIFICATIONS

Operating Wavelength	1520 nm to 1610 nm
Laser Source	Internal DFB laser, 1550 ± 10 nm; other wavelengths and narrow linewidth < 1 MHz are available
Laser Power Level	20, 30, 40, 50 mW
RF Return Loss	> 15 dB @ 10 GHz
Impedance	50Ω
Operating Frequency Range	DC to 12 GHz
Input RF Voltage	27 dBm max.
Optical Output Level	6.5 dBm typ. With 20 mW DFB
S21 Bandwidth	3 dB, 8 GHz typ.
Modulator Bias Mode	4 Automatic bias control modes, selectable by software
Extinction Ratio	25 dB typ.; > 30 dB (HE version)
Modulator Voltage V_{PI}	7 V typ. @ 10 GHz

GENERAL

IIP3 @ 7 GHz	32 dBm typ.; 29 dBm typ. (LD version)
1 dB Compression Point @ 10 GHz	16.5 dBm typ.; 14.5 dBm typ. (LD version)

ANALOG

Operating Temperature (standard)	-30 °C to +60 °C
Operating Temperature (TQ version)	-55 °C to +75 °C
Storage Temperature	-60 °C to +90 °C
Power Supply Requirements	AC Power Cord
Optical Connector	FC/APC
Fiber Type	SMF-28 output; PANDA output (PM version)
RF Input Connector	K connector
Power Connector	4 Pin Molex
Remote Control	USB 2.0 software included
Alarm	LED bias mode status
Dimensions	206 mm x 102.4 mm x 31.5 mm

MECHANICAL

BIAS CONTROL MODE

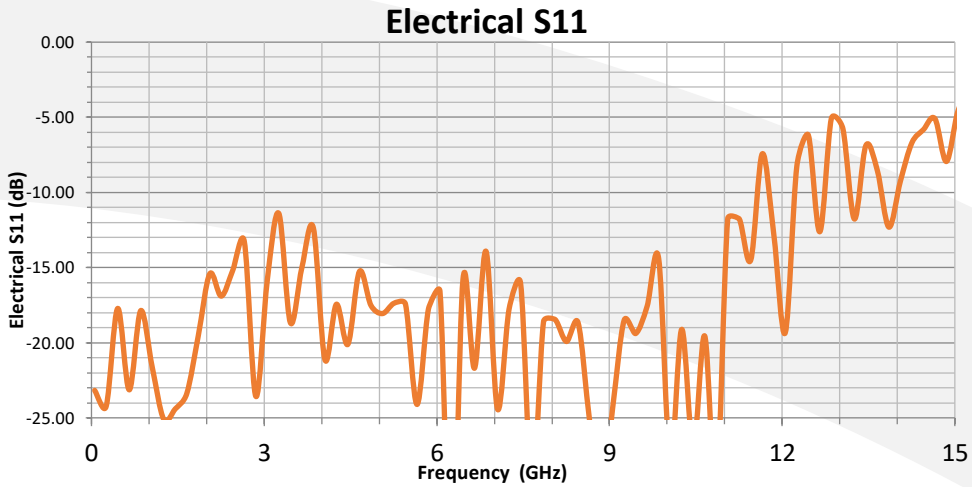
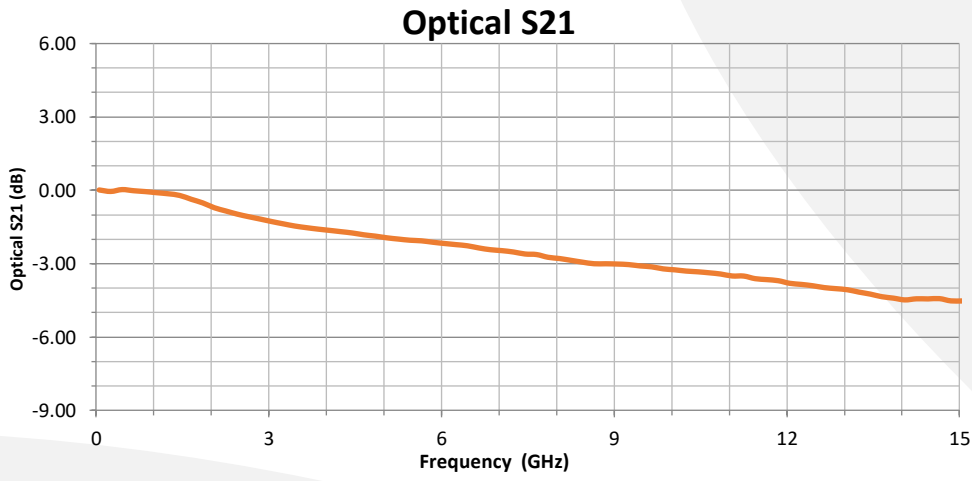
Mode	Operation Conditions
Q+	Set to quadrature point of positive slope for linear analog modulation
Q-	Set to quadrature point of negative slope for linear analog modulation
Min.	Set to min. point of operation for pulse generation or digital modulation
Max.	Set to max. point of operation for pulse generation or digital modulation





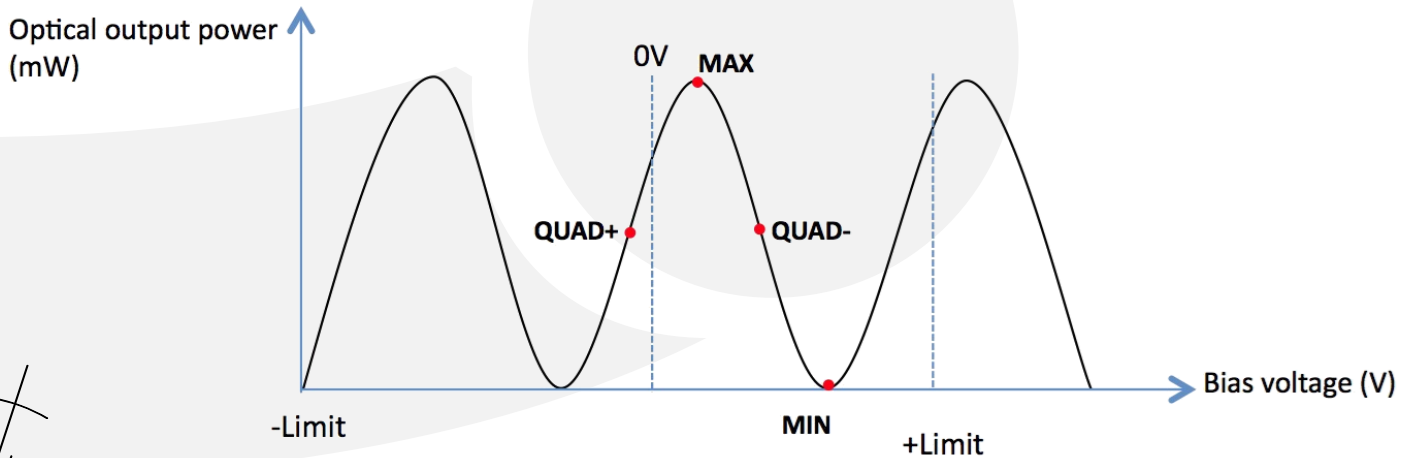
LTB-12

TYPICAL S21 AND S11 BANDWIDTH



BIAS SETTING MODES FOR LTB

Based on sophisticated phase measurement of this small dither signal, LTB-12 provides four selectable operating modes: quadrature (Quad +), inverted quadrature (Quad -), minimum (Min), or maximum (Max) points.





LTB-12

ORDERING OPTIONS

LTB-12-XX

XX PM: Polarization Maintaining

TYPICAL S21 BANDWIDTH FOR LD VERSION

