

# LM-DPQAM-R



## DEVICE

## Lightwave Modulator for DP-QAM

## OVERVIEW

The Optilab LM-DPQAM-R is a high performance Dual Polarization Quadrature Amplitude Modulation (DP-QAM) lightwave modulator designed for Optical Communication up to 400 Gb/s or beyond. The LM-DPQAM-R incorporates an external laser source (DFB, tunable laser) which couples into a four IQ drive speed MZI modulator for DPQAM modulation, with four broadband modulator drivers. The LM-DPQAM-R can also be used for Quadrature Amplitude Modulation (QAM). The LM-DPQAM-R has a built-in Automatic Bias Control board which allows for stable long-term operation, with up to 4 bias operating modes. Adjustable RF gain through the front panel interface and LabVIEW software can be performed. Contact Optilab for more information.

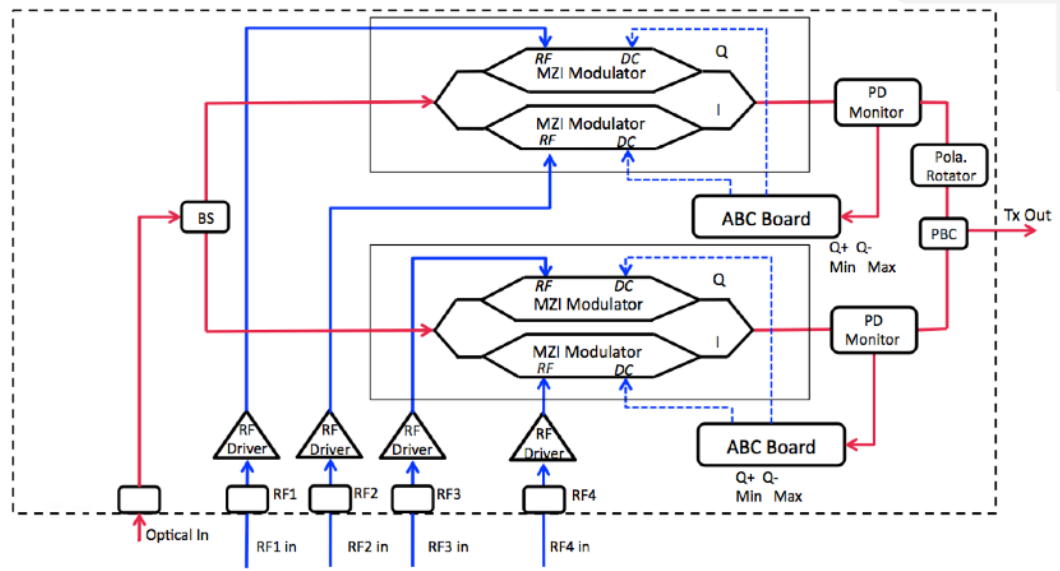
## FEATURES

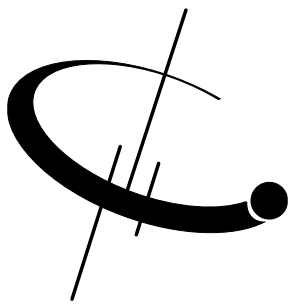
- Up to 400 Gb/s bit rate
- Quadrature modulator driver
- Four IQ modulators
- Four auto bias modes

## USE IN

- Optical communications
- Analog transmission
- Picosecond pulse generation
- Research and development
- Test and measurement

## FUNCTIONAL DIAGRAM





# LM-DPQAM-R

## SPECIFICATIONS

### GENERAL

Bit Rate/Bandwidth	See Table 1.0
External Optical Input Level	+ 20 dBm max.
Impedance	50 Ω typ.
Modulator Bias Mode	Automatic bias control modes
Input RF Voltage Range	250 mW to 750 mW typ.
Eye Crossing Adjustment	Available

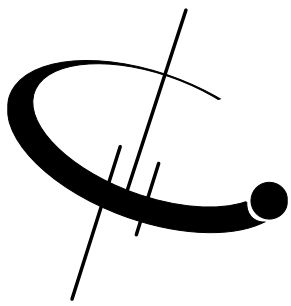
### MECHANICAL

Operating Temperature	-10°C to +60°C
Storage Temperature	-50°C to +90°C
Power Supply Requirements	110/220 VAC, 50-60 Hz
Optical Connectors	Diamond ADT-UNI APC
Input Fiber Type	PANDA PM
Output Fiber Type	SMF-28 standard; PANDA PM optional
RF Input Connector	K type
Remote Control	USB 2.0 and LabVIEW software included
Alarm	Bias mode status, over temperature
Dimensions	1RU 482.60(L) x 470.57(W) x 44.00(H)

TABLE 1.0  
BANDWIDTH OPTIONS

Model #	Bit Rate	Analog Bandwidth
LM-DPQAM-100-R	100 Gb/s min.	15 GHz typ. For each modulator
LM-DPQAM-200-R	200 Gb/s min.	25 GHz typ. For each modulator
LM-DPQAM-400-R	400 Gb/s min.	32 GHz typ. For each modulator





# LM-DPQAM-R

## BIAS CONTROL MODE

Mode	Operating Conditions	Modulation Format
Q+	Set to quadrature point of positive slope	Analog, NRZ
Q-	Set to quadrature point of negative slope	Analog, NRZ
Min	Set to min. point of modulator curve	Pulse, RZ, BPSK
Max	Set to max. point of modulator curve	Pulse, RZ

## OPTIONS

### LM-DPQAM-XX-R-YY

**XX** Bandwidth: See Table 1.0

**YY** PM: Polarization Maintaining Output (PM)

