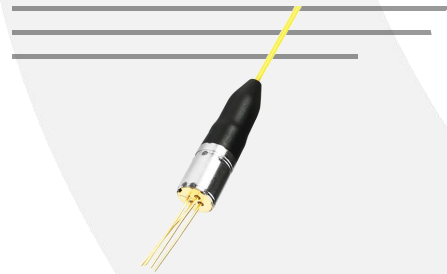




LD-635-20-CX



DEVICE

635 nm LD, 20 mW, Coaxial Package, SM Fiber

OVERVIEW

The Optilab LD-635-20-CX is a 635 nm laser diode, packaged in compact coaxial housing with single mode fiber pigtail. It features a built-in monitor PD, 20 mW output power and offers excellent stability and reliability. This product can be used for indicator light, print, medical treatment and research.

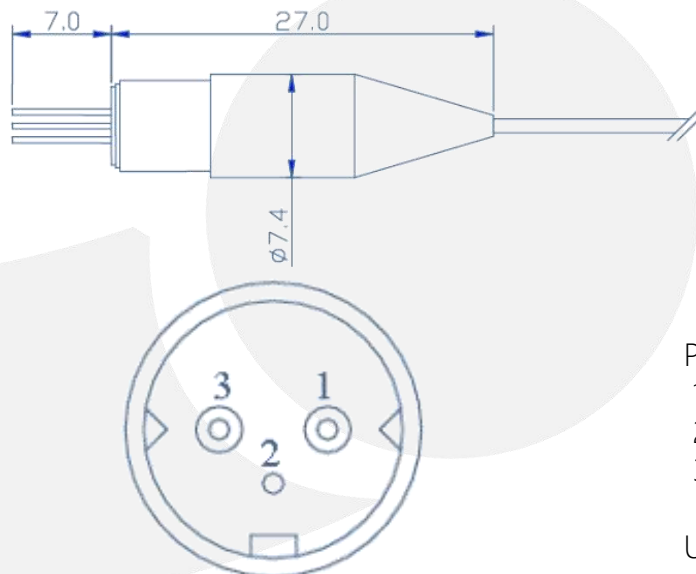
FEATURES

- 635 nm center wavelength
- 20 mW output power
- $\Delta\lambda$ 3 nm spectral width (FWHM)
- 9.0 μm fiber core diameter
- 0.13 NA
- 1040 nm to 1200 nm anti-reflection
- MQW FP-LD
- Single mode
- Built-in monitor PD
- Low threshold
- Low operate current

USE IN

- Indicator light
- Print
- Optical sensing
- Test and measurement equipment
- Medical
- Research
- Laser range finder

MECHANICAL DRAWING

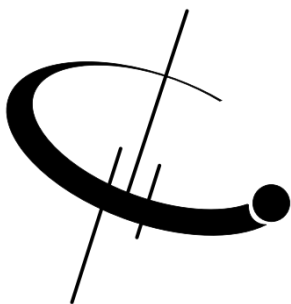


PIN Description

- 1 Laser (+)
- 2 Housing
- 3 Laser (-)

Unit: mm





LD-635-20-CX

SPECIFICATIONS

Optical Data

Laser Type	MQW Fabry-Perot LD
CW-Output Power	20 mW min.
Center Wavelength	635±5 nm
Spectral Width (FWHM)	3.0 nm typ.
Wavelength Shift with Temperature	0.2 nm/°C typ.
Anti-reflection Waveband	1040 nm to 1200 nm
Anti-reflection Isolation	30 dB typ.

Electrical Data

Electro-optical Efficiency	4% typ.
Threshold Current	45 mA typ.
Operating Current	165 mA max.
Operating Voltage	3 V max.
Slope Efficiency	0.37 W/A typ.

Fiber Data

Core Diameter	9.0 μm or customized
Cladding Diameter	125 μm typ.
Buffer Diameter	0.9 mm
Numerical Aperture	0.13 NA typ.
Total Fiber Length	1 m typ.
Bending Radius	50 mm min.
Fiber Type	Single Mode
Connector	FC(APC)/SC(APC) /SMA905/ST

Others

ESD	500 V max.
Operating Temperature	+15 °C to +35 °C
Storage Temperature	-20 °C to +70 °C
Operating Humidity	15% to 75%
Package	Coaxial Housing
Material	GaAs

