



EYDFA-43-4



EYDFA w/Output Power up to 43 dBm, 4 Output Ports

OVERVIEW

The Optilab EYDFA-43-4 series are high-power, reliable optical amplifiers with up to +43 dBm total power output and up to 4 output ports of 37dBm EYDFA. Utilizing an integrated pre-amplifier which increase optical gain to 50dB, EYDFA-43-4 is ideal for Pulsed laser, LIDAR, HFC and Free space communication. The EYDFA-43-4 series uses multimode laser pumping, all-fiber combiner and Er/Yb double-clad fiber technologies to achieve high output power in conjunction with excellent reliability. Constructed with long term uninterrupted service in mind, the Optilab EYDFA-43-4 series features a 3U rackmount housing that is easy to install.

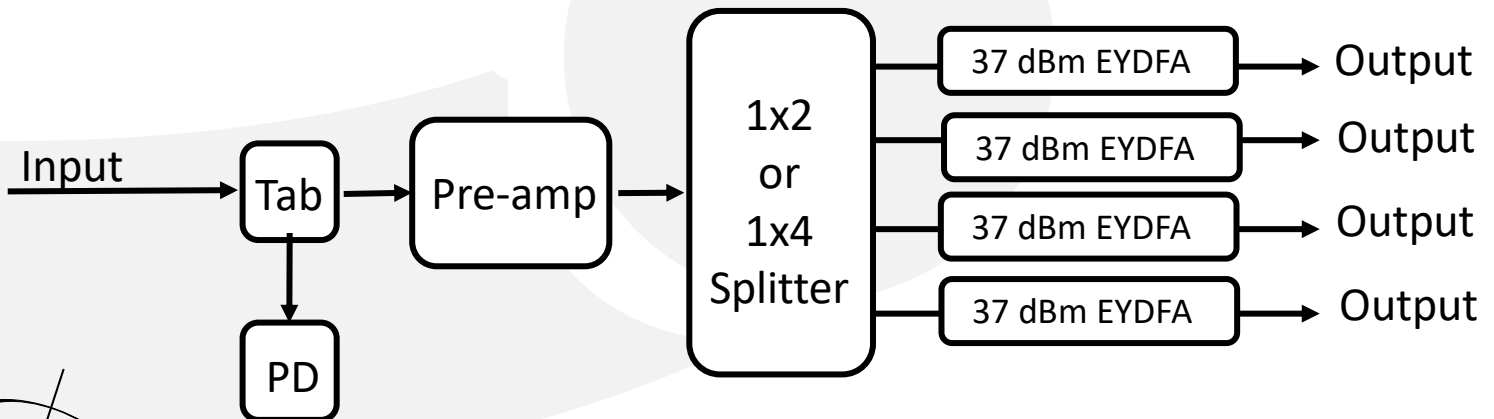
FEATURES

- Optical gain up to 50 dB
- Up to 43 dBm total power
- Noise figure of 5 dB
- Touch Screen LCD Control
- Remote interface, Lab view
- 3U housing rackmount

USE IN

- LIDAR
- Pulsed Laser System
- HFC networks
- Free space communication
- Research and development

FUNCTIONAL DIAGRAM





EYDFA-43-4

SPECIFICATIONS

GENERAL

Operating Wavelength	1540 nm to 1570 nm
EDFA Output Power Level	+37, each outputs, total of +43 dBm available
EDFA Input Power	-20 to +5 dBm
Optical Gain	Up to 50 dB
Number of Output Ports	4 or other available
Output Power Per Port	See Chart Below
Port to Port Variation	± 0.3 dB max.
Noise Figure (NF)	5.0 dB typ.
Input/Output Optical Isolation	30 dB min.
Output Power Stability	±0.2 dB over 8 hours max.
Input/Output Fiber Type	Corning SMF-28

MECHANICAL

Operating Temperature Range	-10°C to +60 °C Standard
Storage Temperature Range	-40 °C to +70 °C
Power Supply	110-220 V AC, 43-63 Hz AC 2A
Cooling Requirements	Air Cooling
Optical Connectors	FC/APC or coordinating lense
Power Consumption	100 W max.
Housing Dimensions	3 RU 19"(W) x 17.5"(D) x 3.5"(H)
Weight	Laser Temperature, Output Power
Control/Monitoring	Current
Remote Interface	LabVIEW, USB

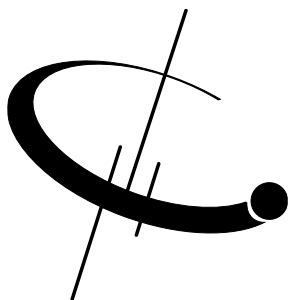
COLLIMATING LENS SPECIFICATIONS (EXAMPLE)

Nominal Beam Diameter	0.45 mm
Working Distance	10 mm
Typical Insertion Loss	0.25 dB
Max. Optical Power Handling	20 W
Input Fiber Type	SMF 28

HIGH POWER CONNECTOR

Input Fiber Type	SMF 28
Max. Optical Power Handling	10 W
Connector Type	FC/APC





EYDFA-43-4

ORDERING OPTIONS

EYDFA-XX-Y

XX Output Power Level: +37 dBm, +40dBm, +43 dBm

Y Number of Channels : 2, 4

EYDFA Configuration			
Part Number	Total Power	Number of Ports	Output Power Per Port
EYDFA-40-2	+40 dBm	2	+37 dBm
EYDFA-43-4	+43 dBm	4	+37 dBm

