



DPCR-23-R



DEVICE

Dual Polarization Coherent Receiver

OVERVIEW

DPCR-23-R is a dual polarization coherent photo receiver (DPCR) in rackmount form designed for coherent signal detection. This turnkey solution system uses all fiber components with accurately matched fiber length to minimize skew between different paths. Featuring polarization-maintained input with an extremely low polarization cross talk, DPCR is ideal for polarization multiplexed coherent signal detection.

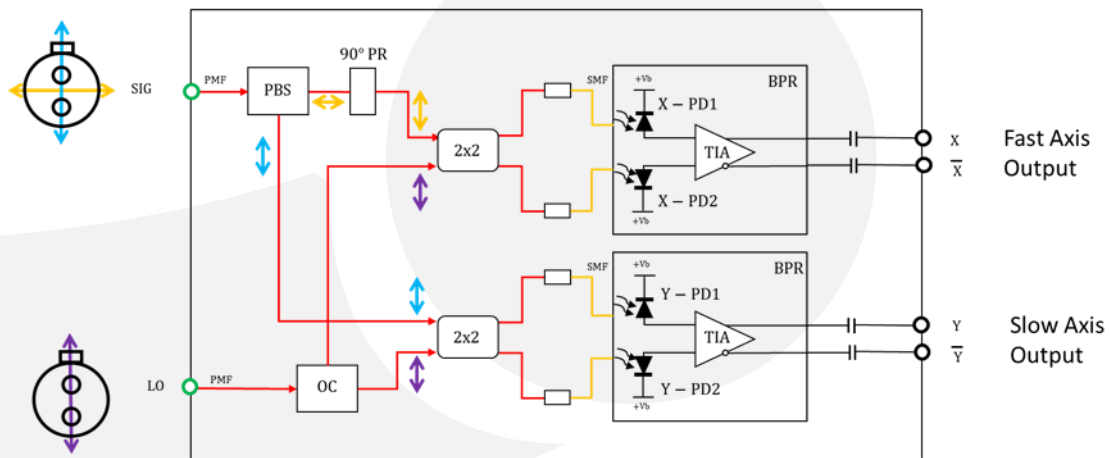
FEATURES

- Over 20 GHz bandwidth
- Polarization maintained input
- Low polarization-maintained input
- Amplified RF signal output

USE IN

- Coherent signal detection
- Polarization multiplexed coherent signal detection
- Optical Communication
- Research & Development

FUNCTION DIAGRAM





DPCR-23-R

SPECIFICATIONS

GENERAL

Wavelength Range	1530 to 1570 nm
Different Conversion Gain	1500 V/W min, 2000 V/W typ.
OE Conversation Bandwidth	20 GHz min.
Insertion Loss, SIG to Receiver	5 dB max, 4 dB typ.
Insertion Loss, LO to Receiver	8 dB max, 7.2 dB typ.
Polarization Cross Talk, SIG	≥ 30 dB
Polarization Cross Talk, LO	≥ 40 dB
Maximum Input Power to Receiver	+6 dBm
Skew	10 ps max
Signal and LO Input Fiber	Corning PM15-U25D Panda Fiber
Signal and LO Input Connector	FC/APC, key aligned to slow axis
Photo Receiver Operation Mode	MGC or AGC
RF Output	SMA female, AC coupled, 50ohm

MECHANICAL

Housing Dimension	1U rackmount, 19" x 14" x 1.75"
Power Supply	100 to 240 VAC
Front Panel Control	LCD display with button control
Remote Control Interface	RS232 via USB

