

ASE-1064-B



1064nm ASE Broadband Light Source

OVERVIEW

Optilab's ASE-1064-B is Ytterbium-doped fiber ASE broadband light source in the wavelength range of 1020nm to 1080nm offering 20mW output power, which is particularly useful for 1064nm fiber laser component characterization. In this benchtop unit, the output power is shown on the LCD display. The LD operating temperature and drive current are precisely monitored by a micro-controller to ensure constant output power and emission wavelength stability. With its simple and intuitive front panel interface, the user can control the ASE source output power level by adjusting the drive current along with local and remote status monitoring, contact Optilab for more information.

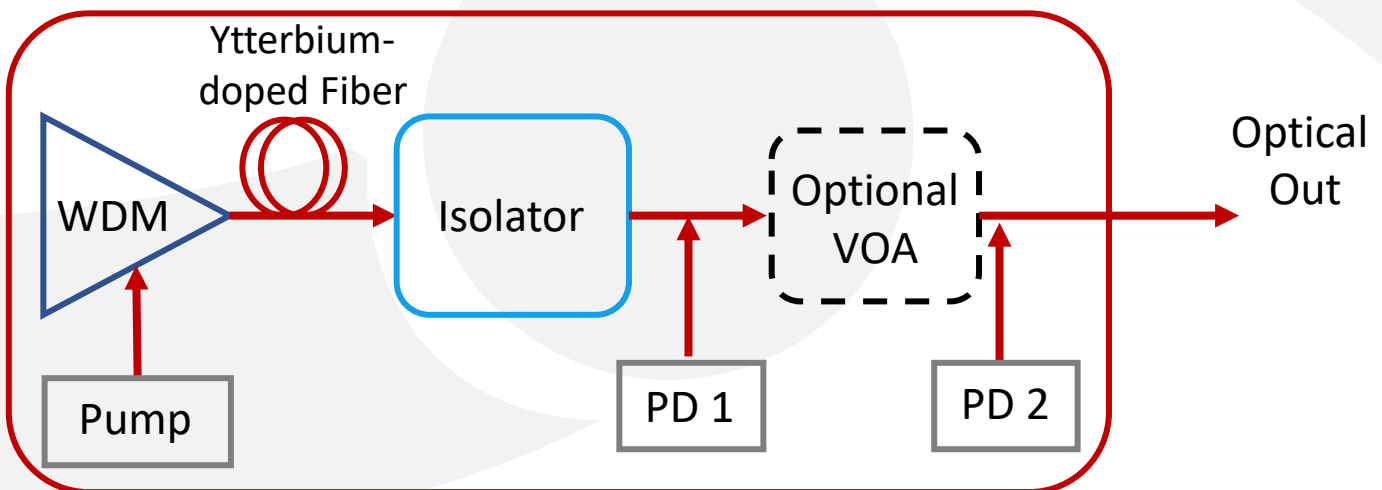
FEATURES

- Wide Spectral Range
- High Output Power
- Good Spectral Stability
- Up to 13 dBm
- Monitoring and control Via USB
- Optional Variable Optical Attenuator

USE IN

- Fiber Optic Sensing
- Optical Tomography
- Component Characterization
- High Power Fiber Laser

FUNCTION DIAGRAM





ASE-1064-B

SPECIFICATIONS

Output Power	+13 dBm typ.
Operating Wavelength	1020 nm to 1080 nm
Min. Spectral Density	-12 dBm/nm
Output Isolation	> 30 dB
LD control	Bias current
Output Power Stability	± 0.5 dB over 8 hours
Spectral Ripple	5% typ.
Center Wavelength Stability	± 0.1 nm over 8 hours
Side Mode Suppression Ratio	45 dB typ.
Optical Isolation	30 dB min.
Output Control	On/Off

MECHANICAL

Operating Temperature	10° C to +50° C
Storage Temperature	-10° C to +70° C
Operating Humidity	0% to 85% Relative Humidity
Power Supply	80 - 240 V, 43 - 63 Hz AC or 40 - 58 V DC (Optional)
Power Consumption	60 W max.
Housing Dimensions	Benchtop, 14" x 12.5" x 3.5"
Control / Monitoring	Pump Current, Output Power, VOA
Remote Control	RS-232 via USB
Display	Pump Current, Output Power
Optical Connectors	FC/APC and other options
Optical Fiber Type	HI 1060





ASE-1064-B

TEST RESULT

