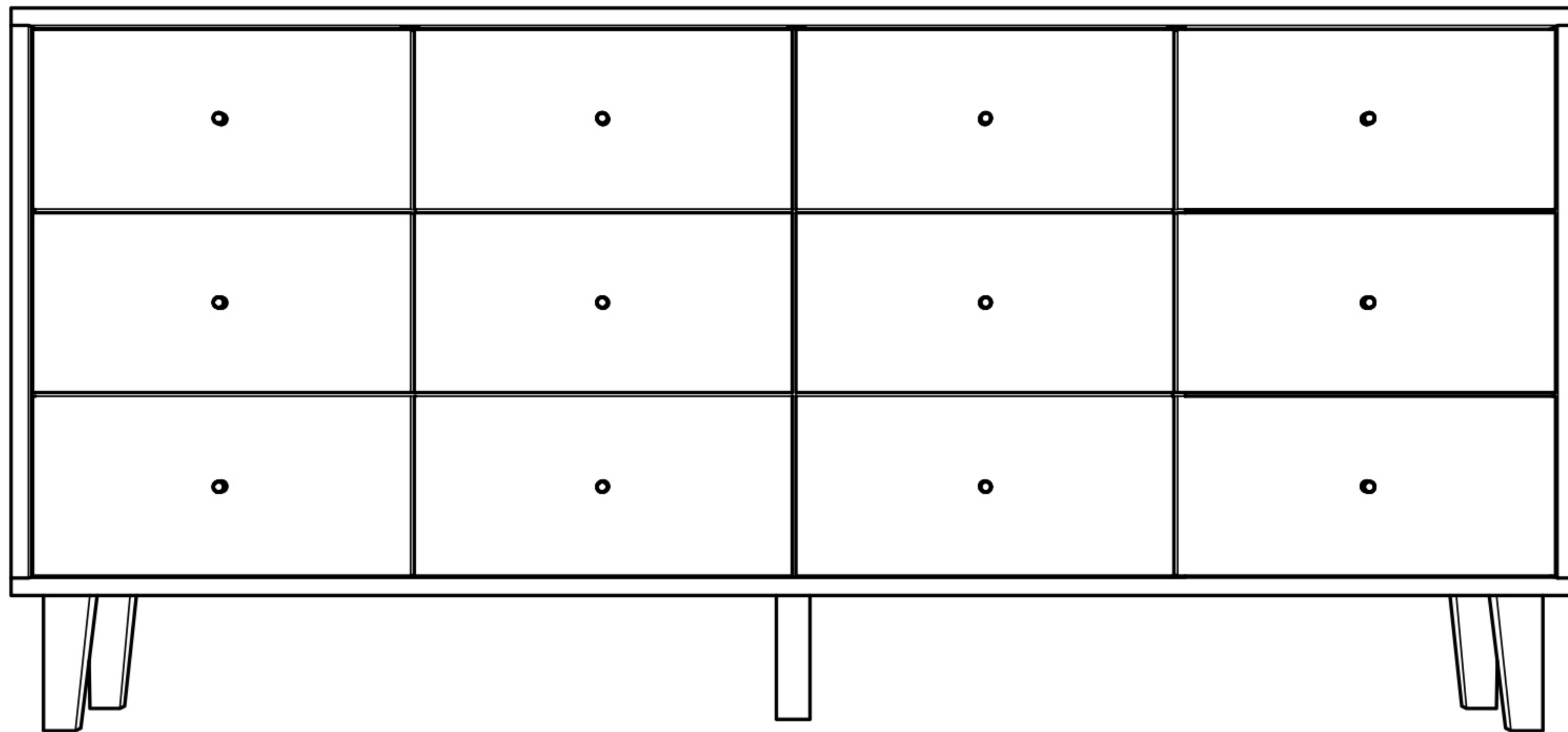
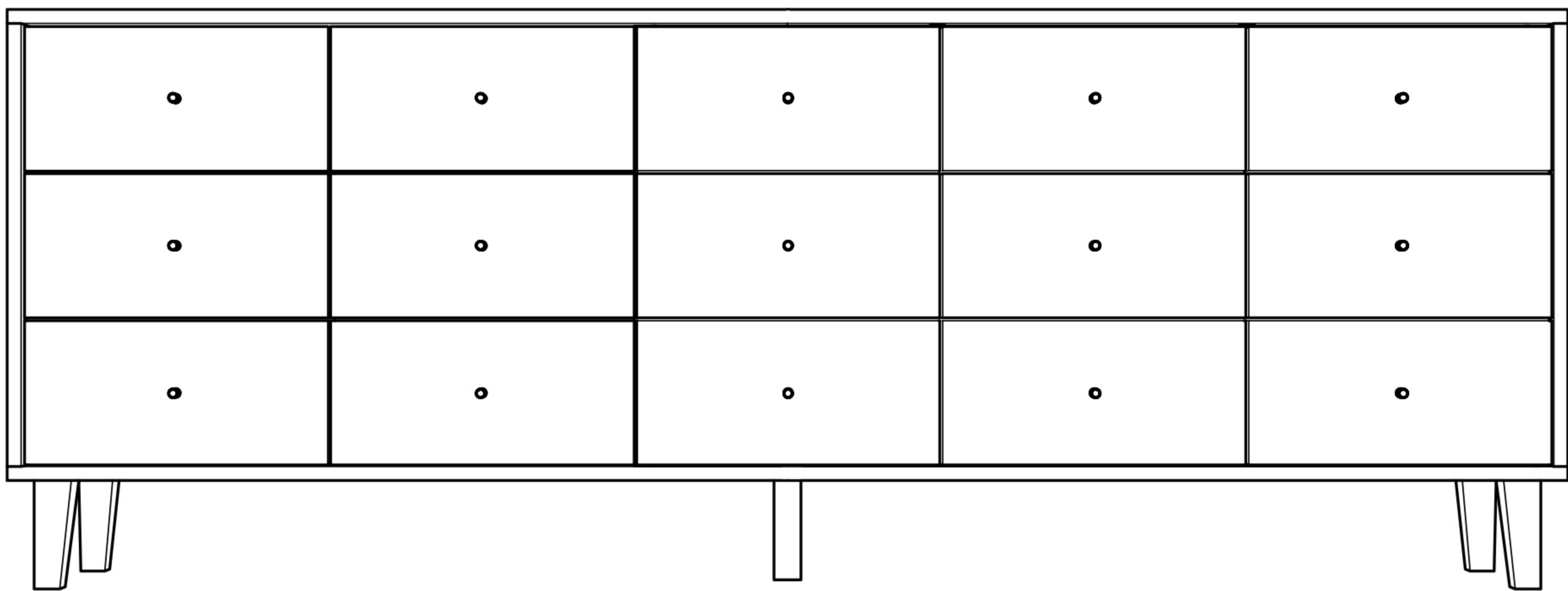


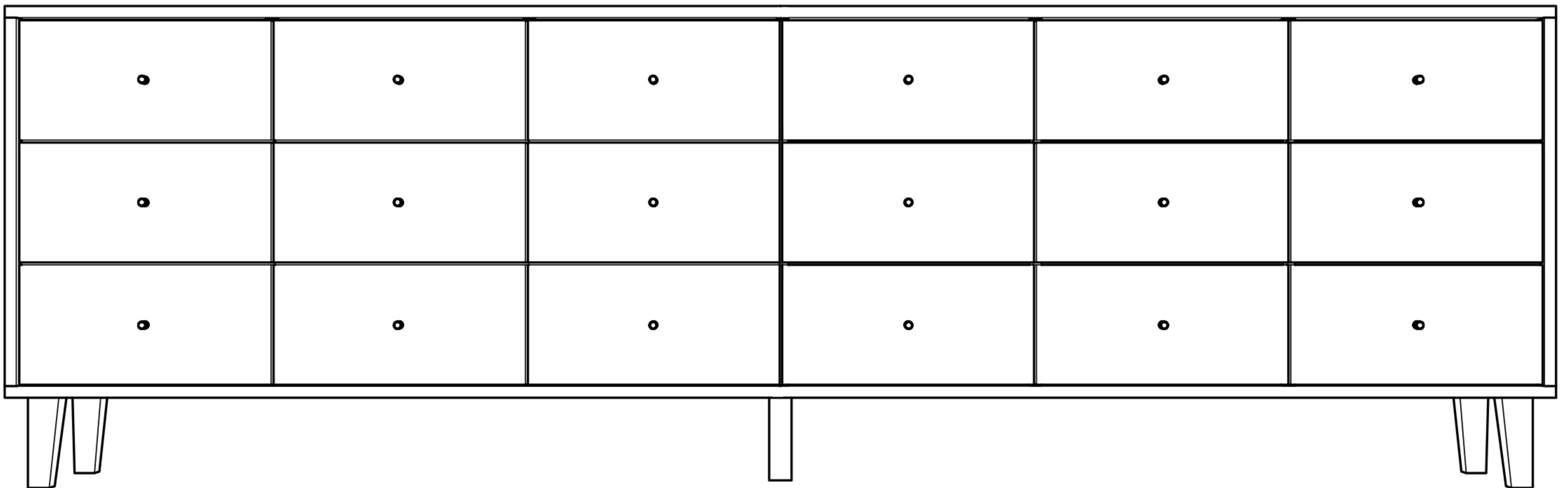
Opp No. 4



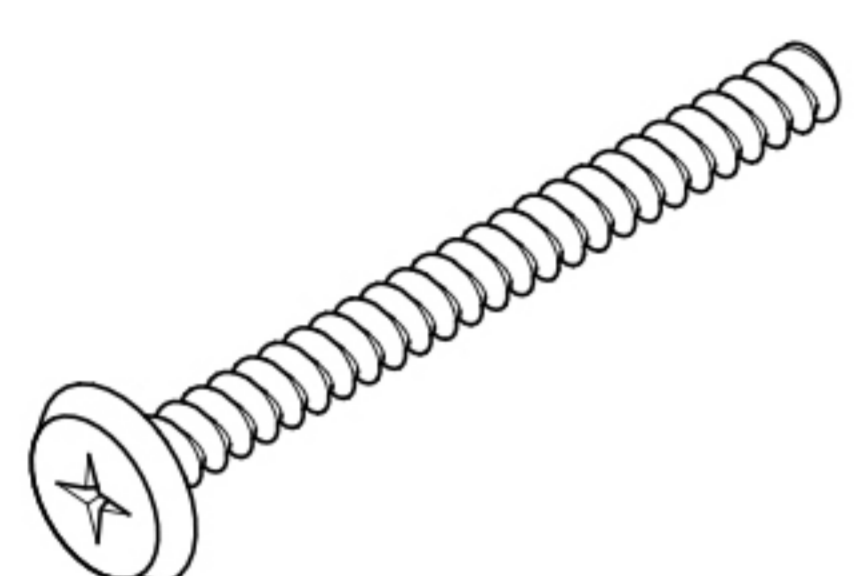
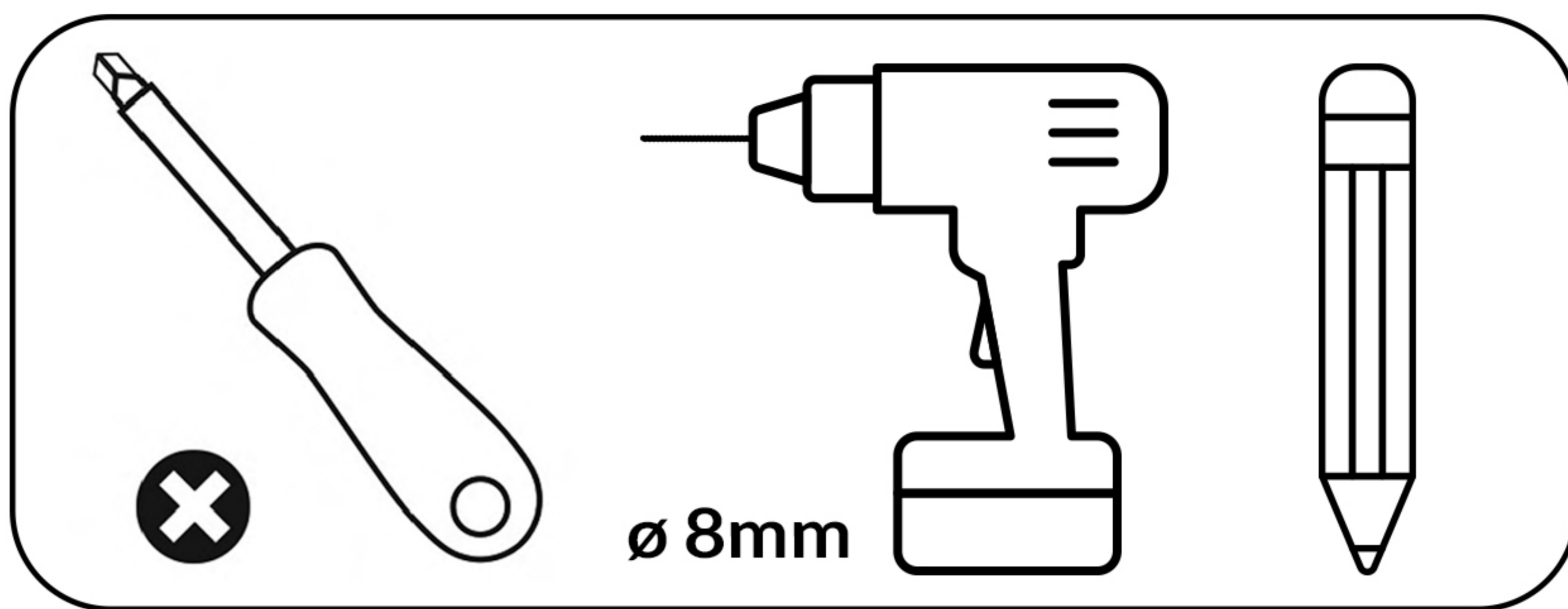
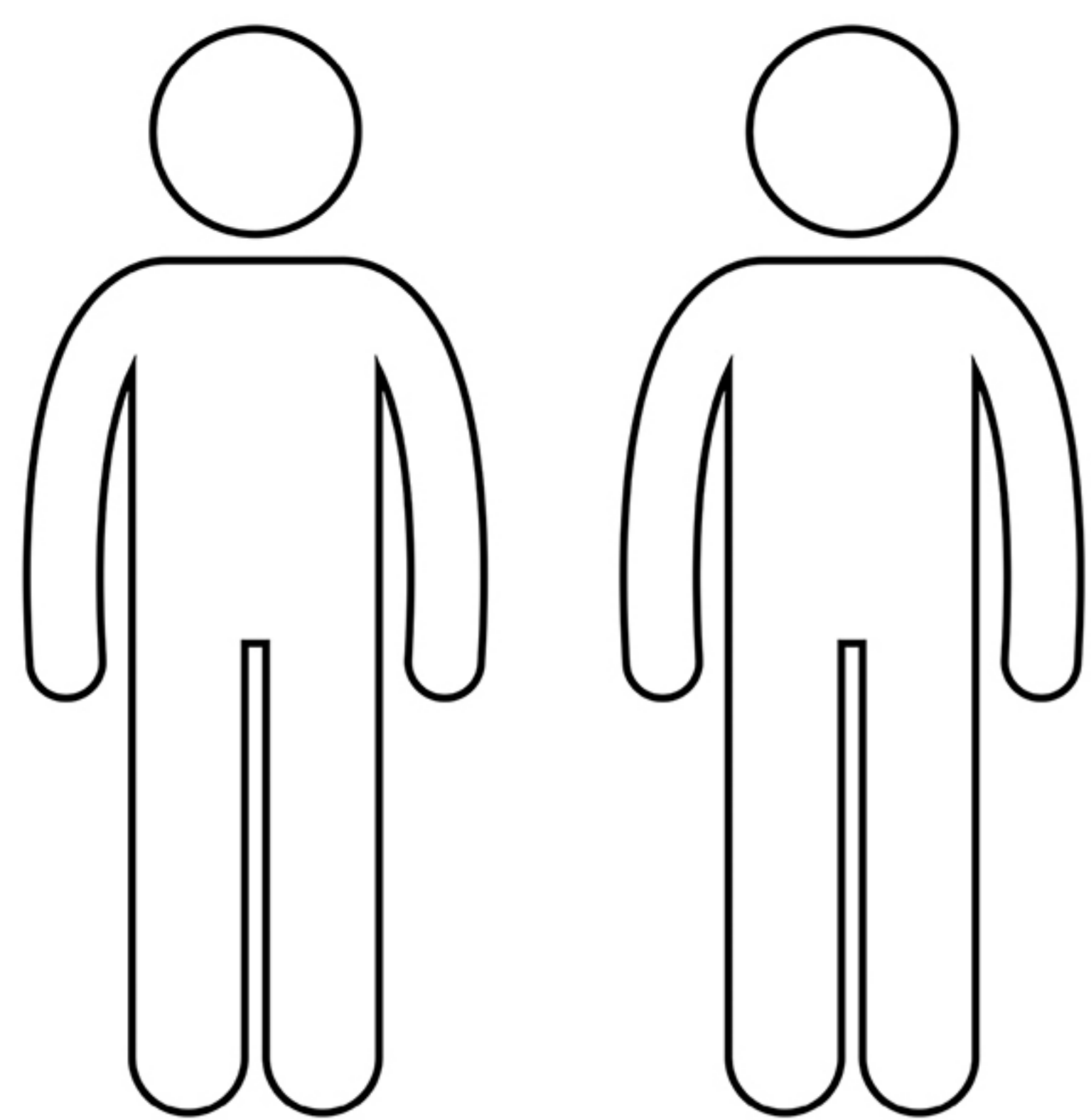
Opp No. 5



Opp No. 6

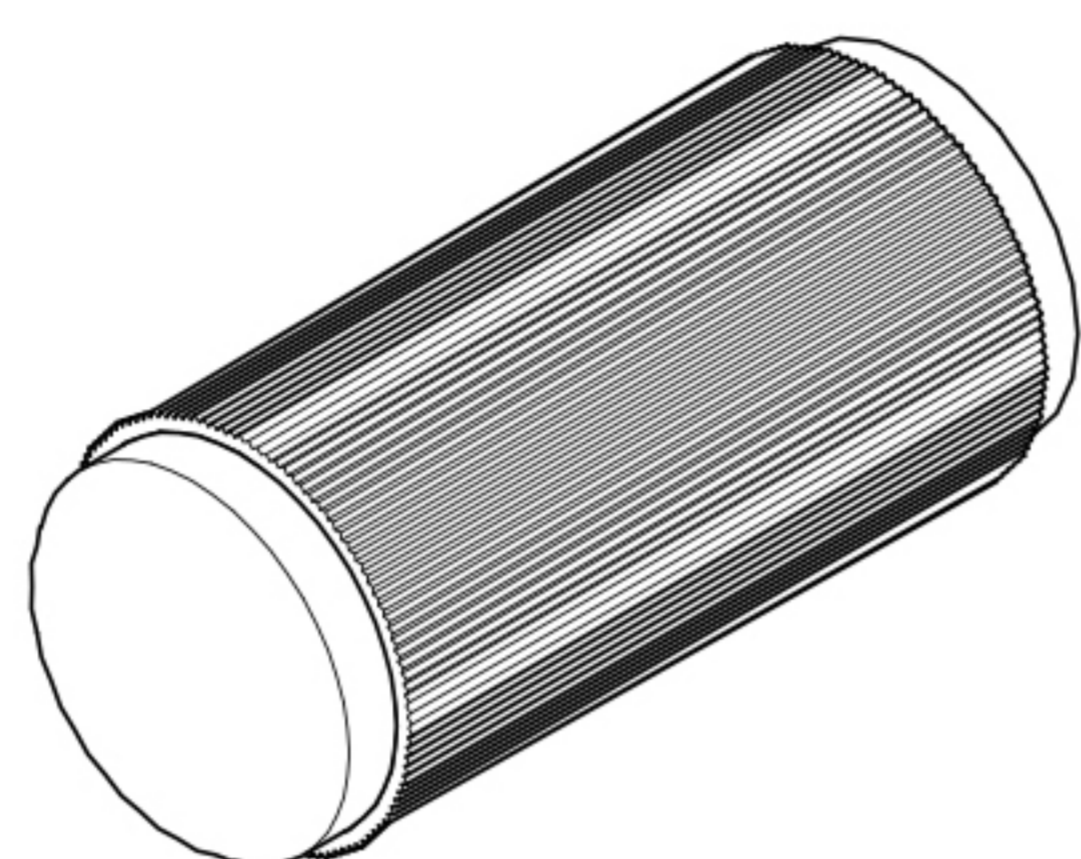


berke.



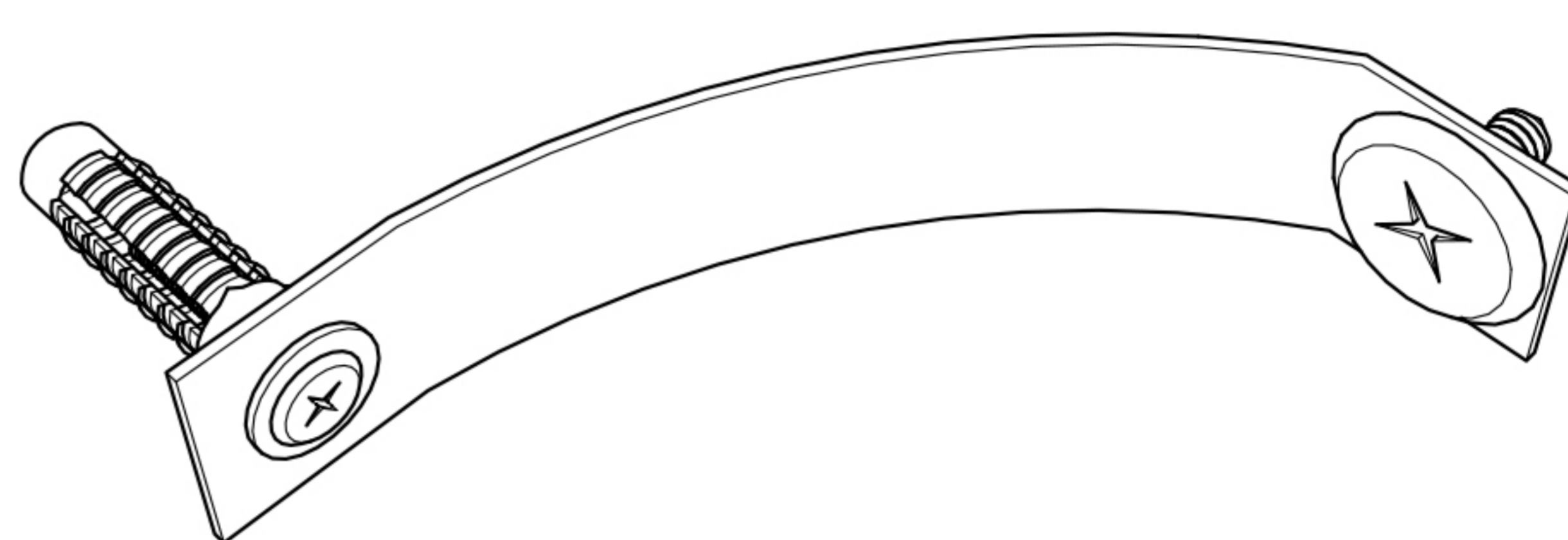
**12x/15x/18x**

Opp No. 4/Opp No. 5/Opp No. 6

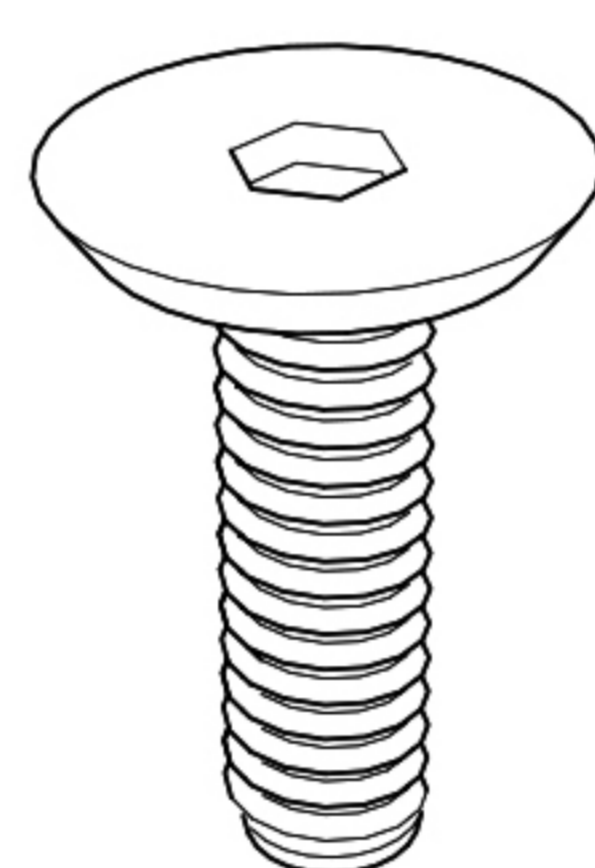


**12x/15x/18x**

Opp No. 4/Opp No. 5/Opp No. 6



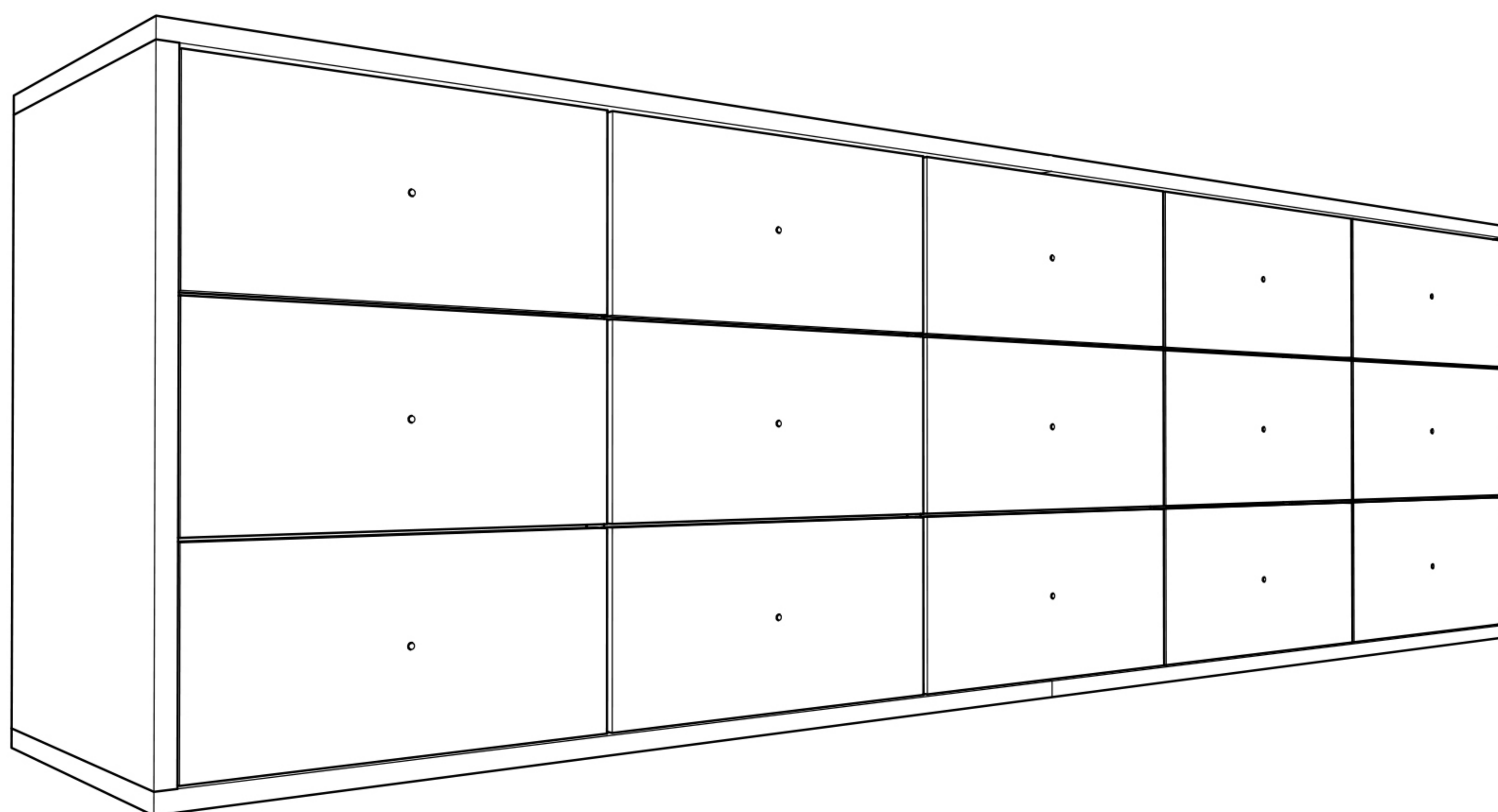
**1x**



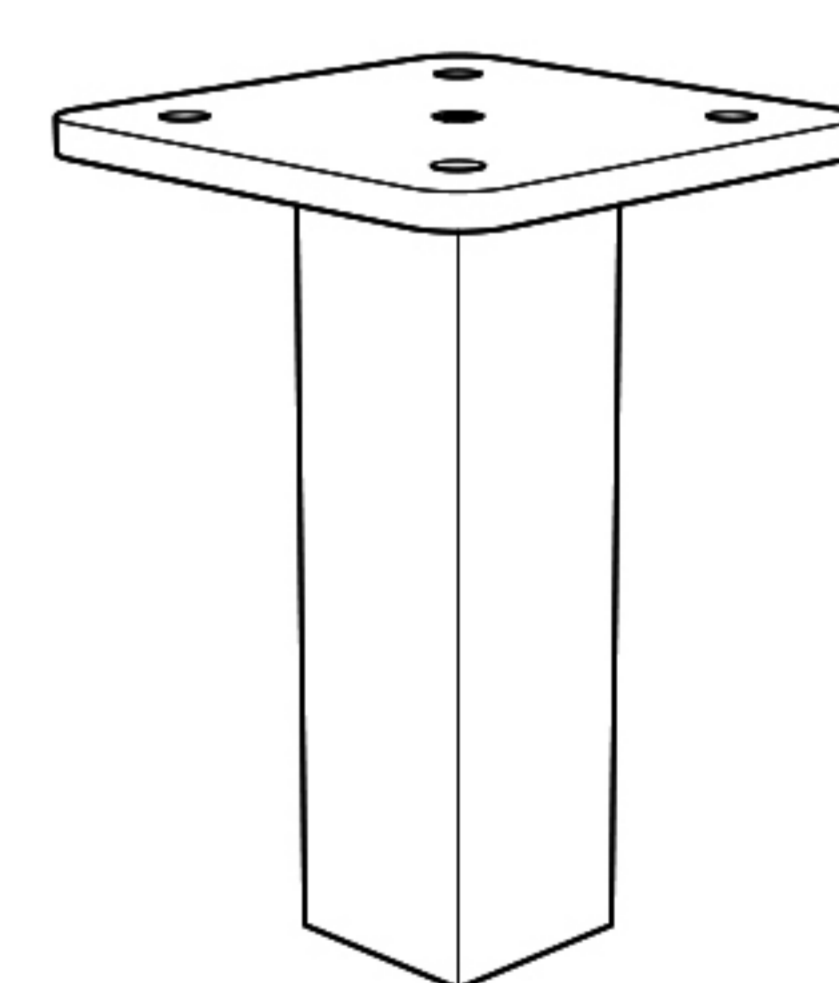
**20x**



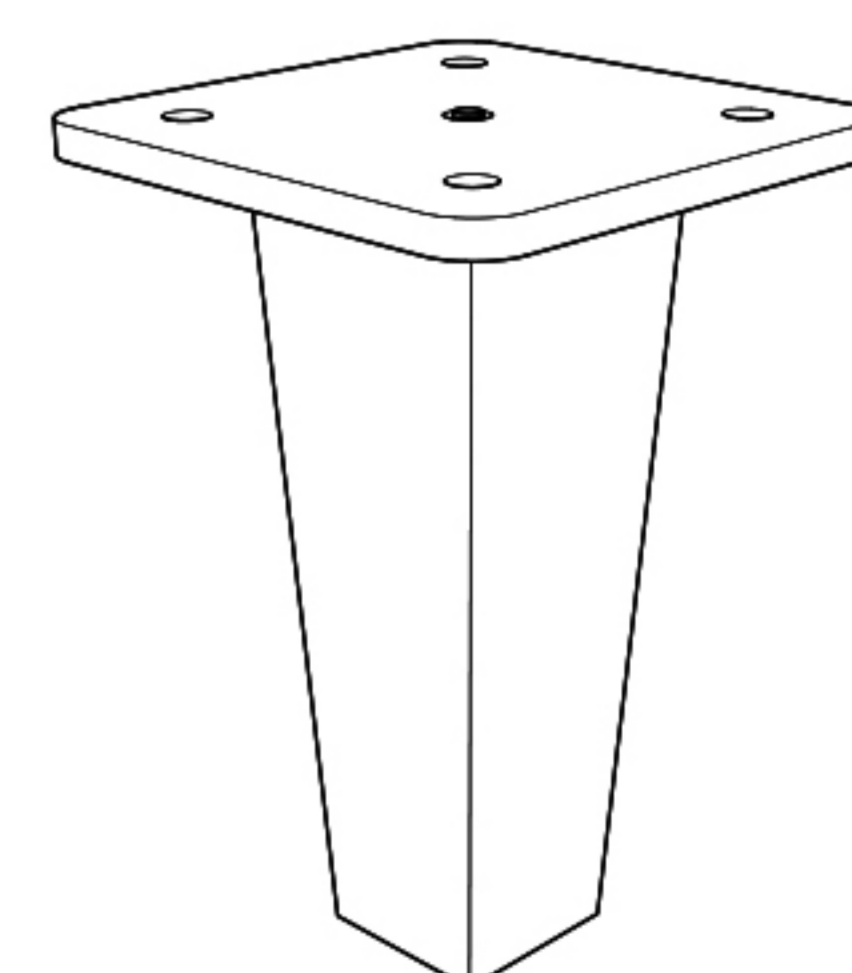
**1x**



**1x**



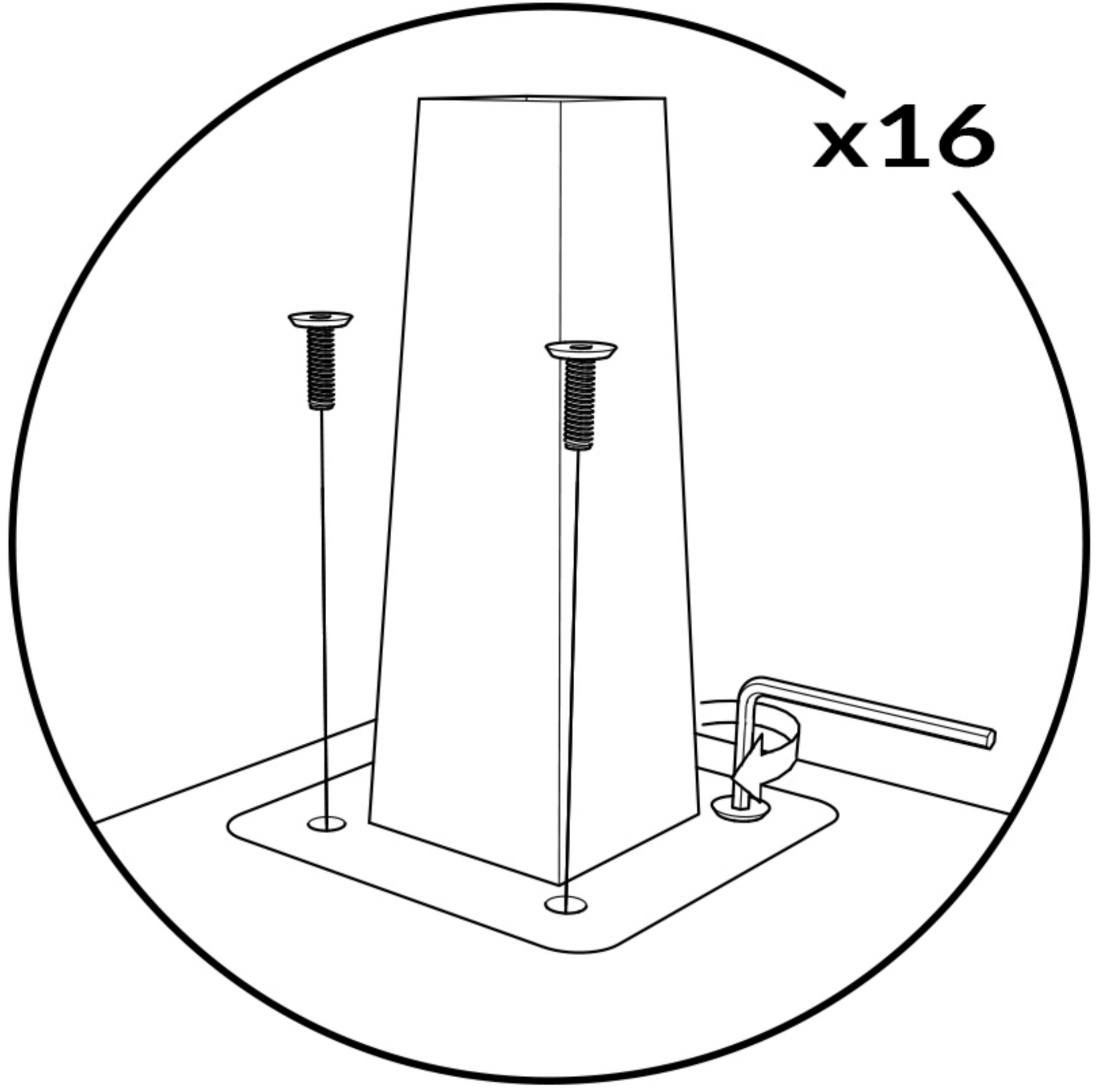
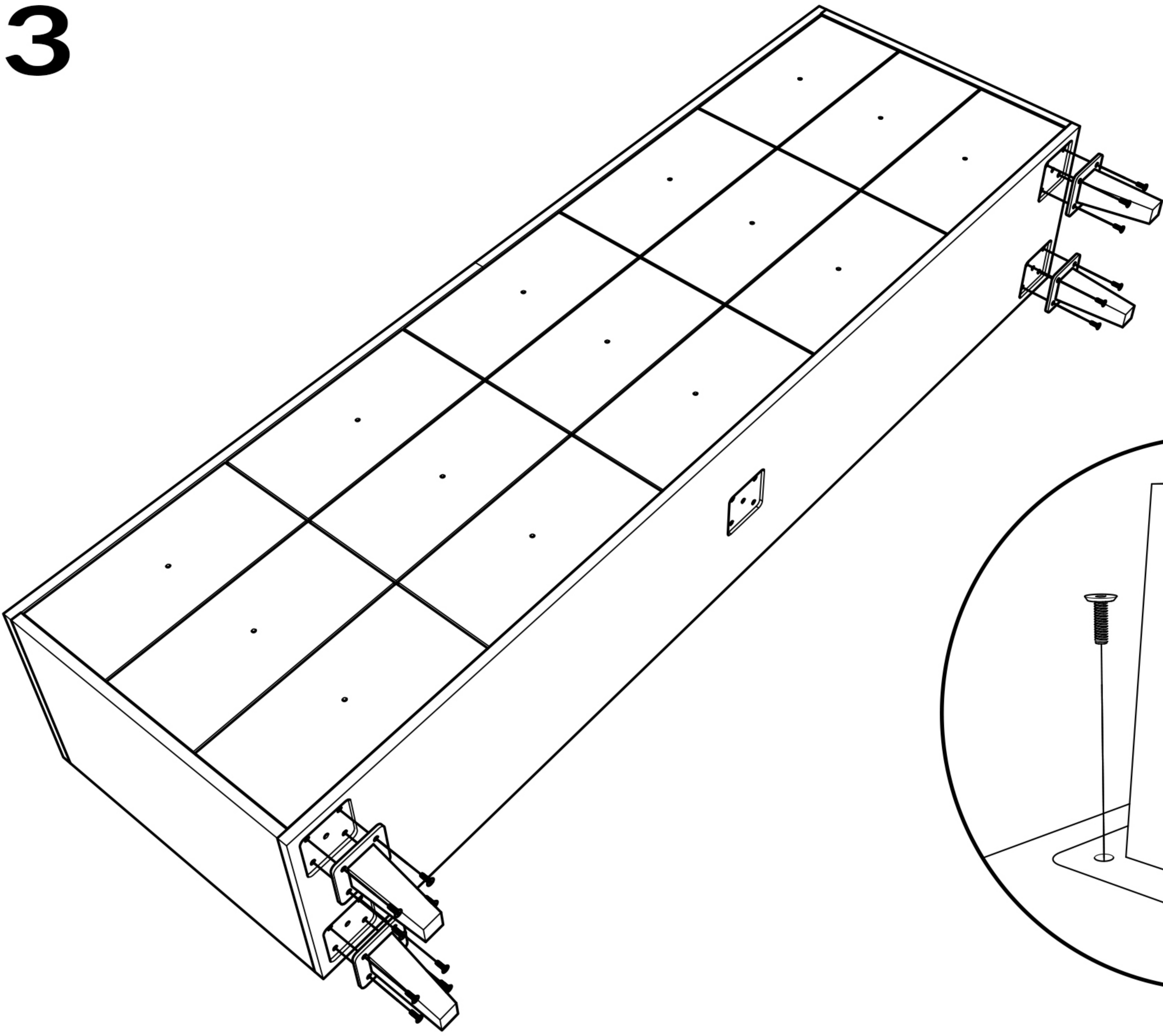
**1x**



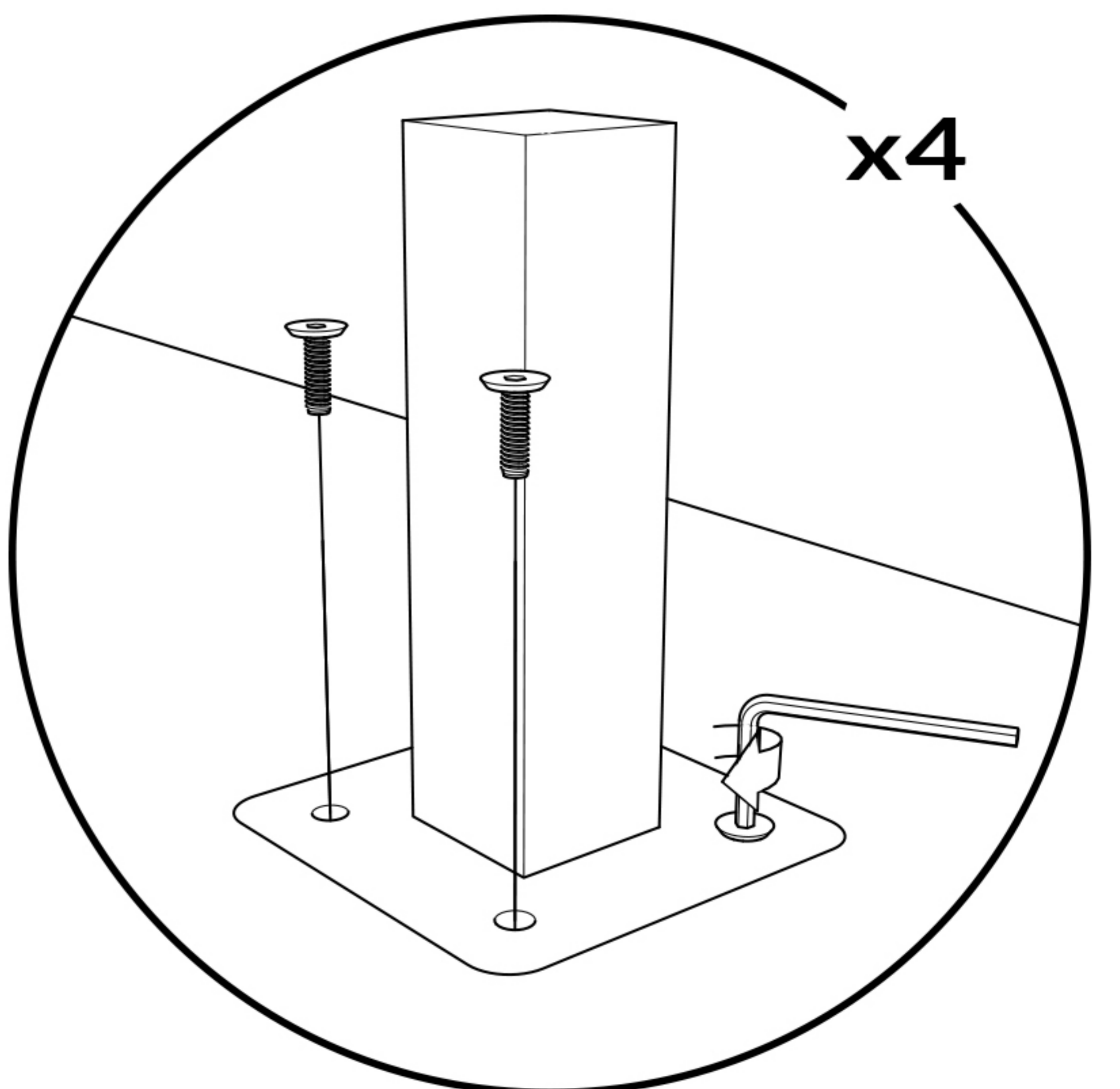
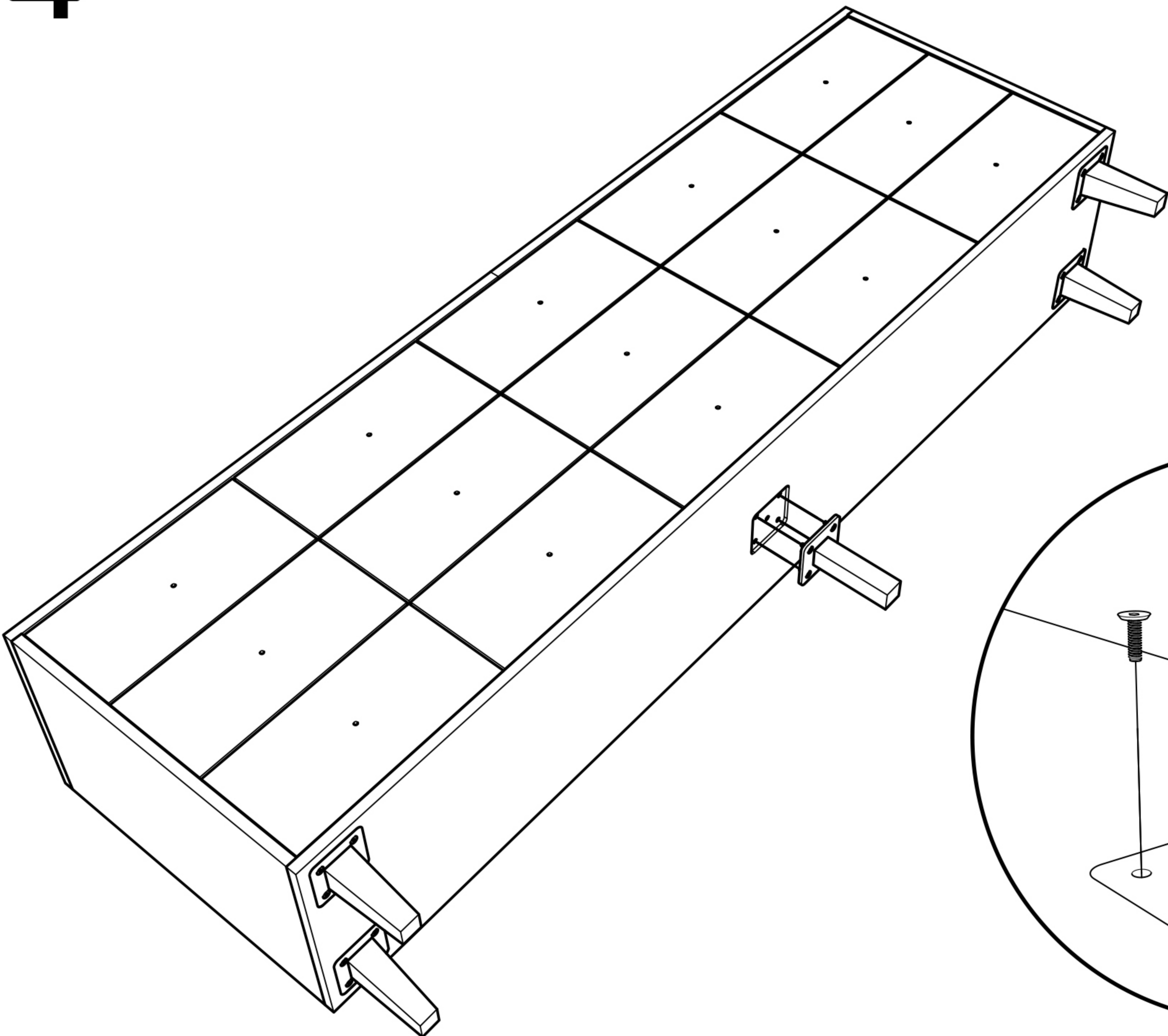
**4x**

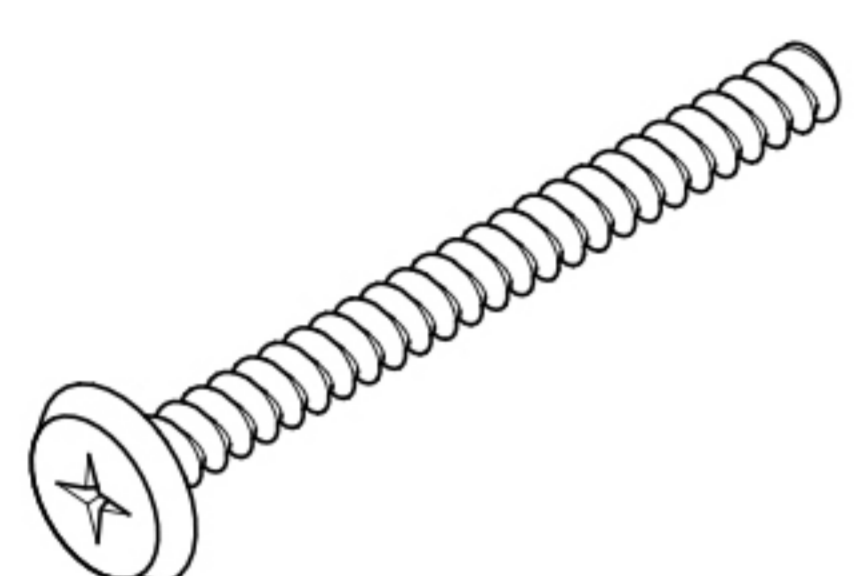
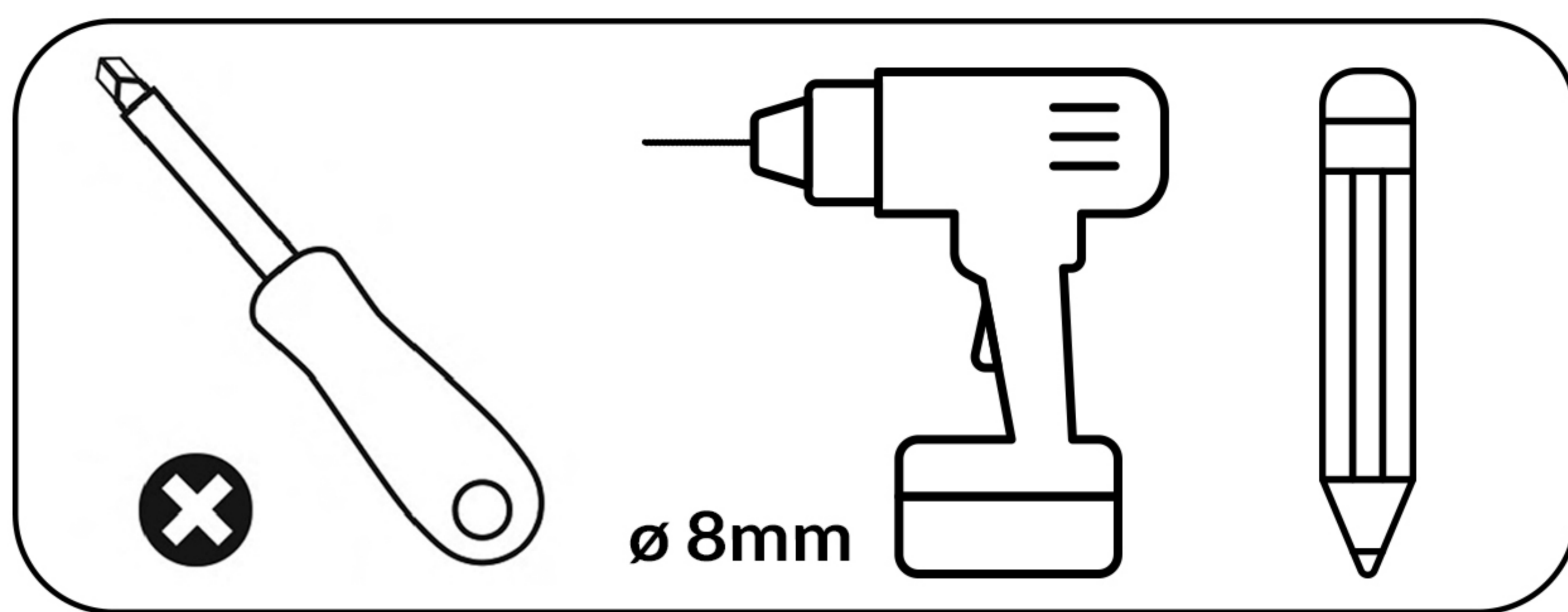
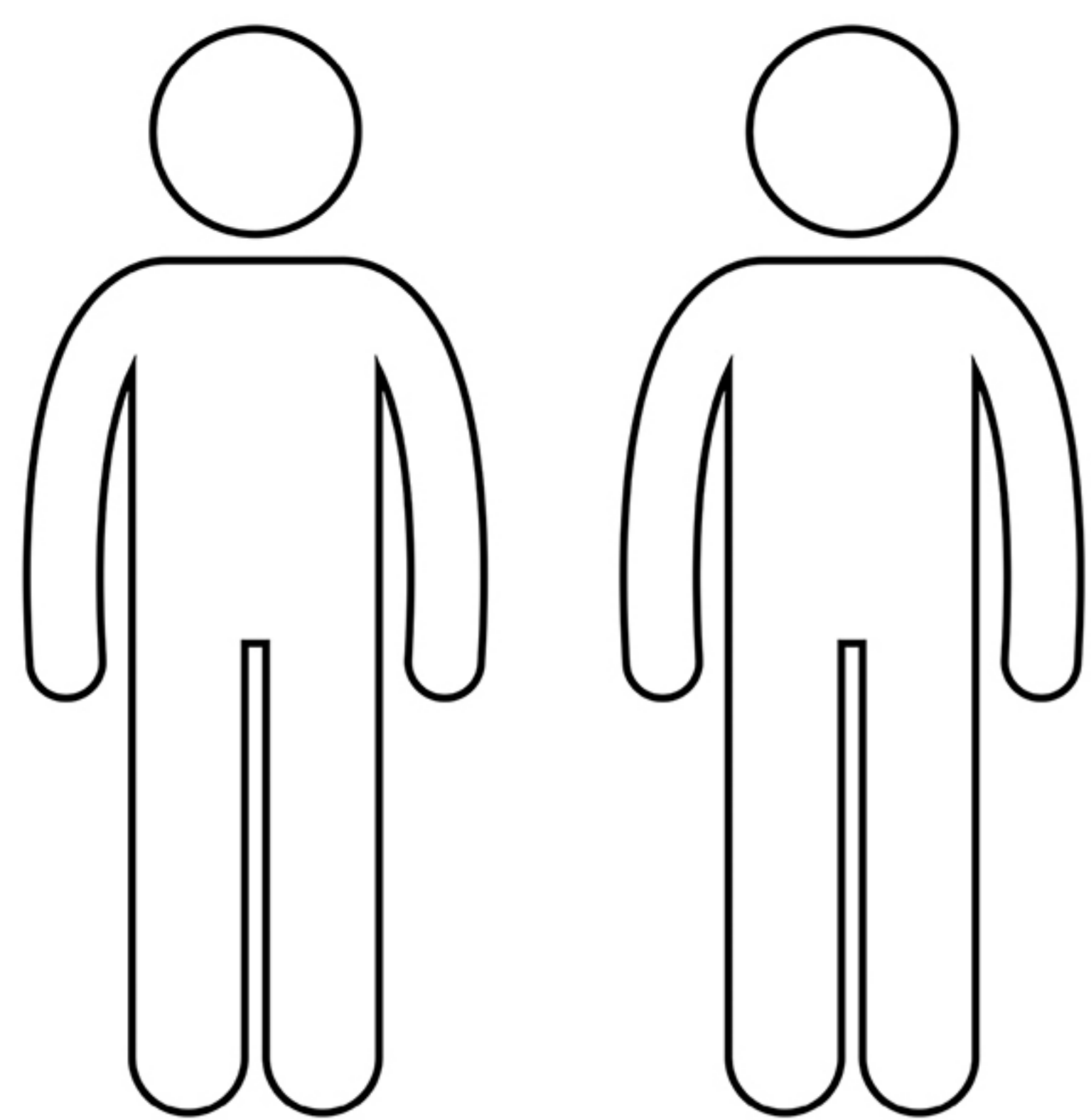


3



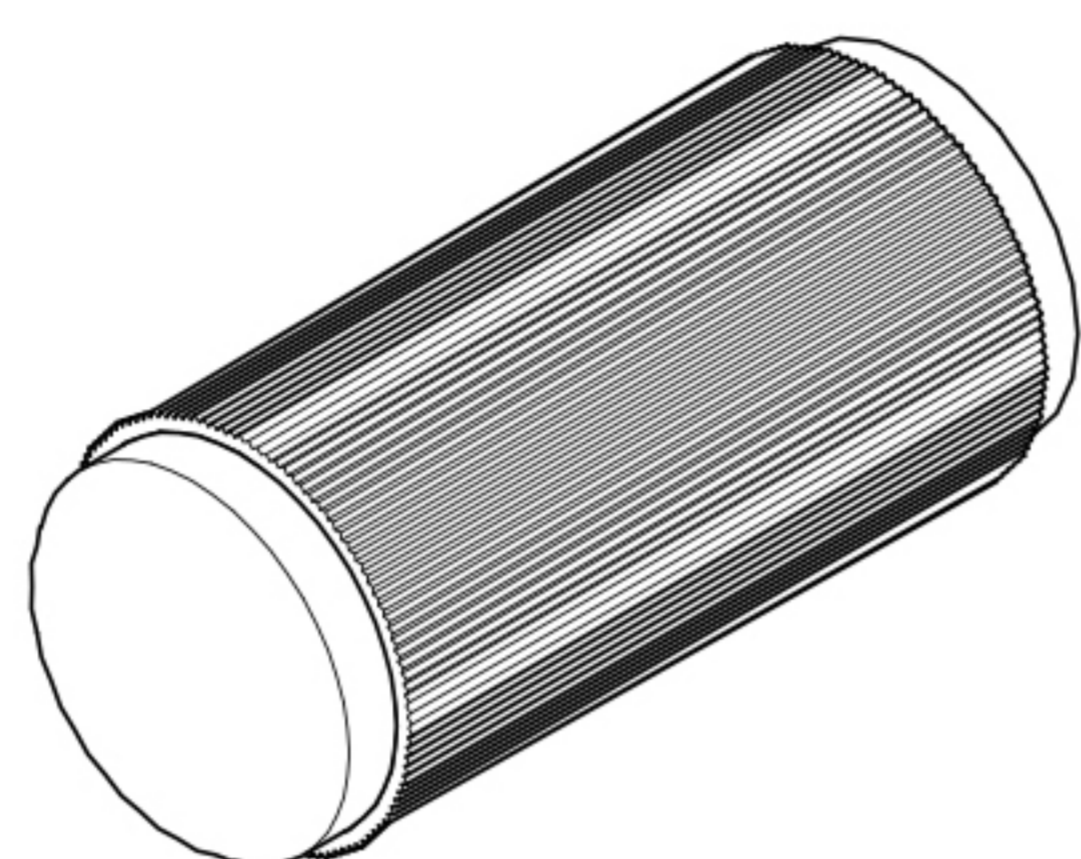
4





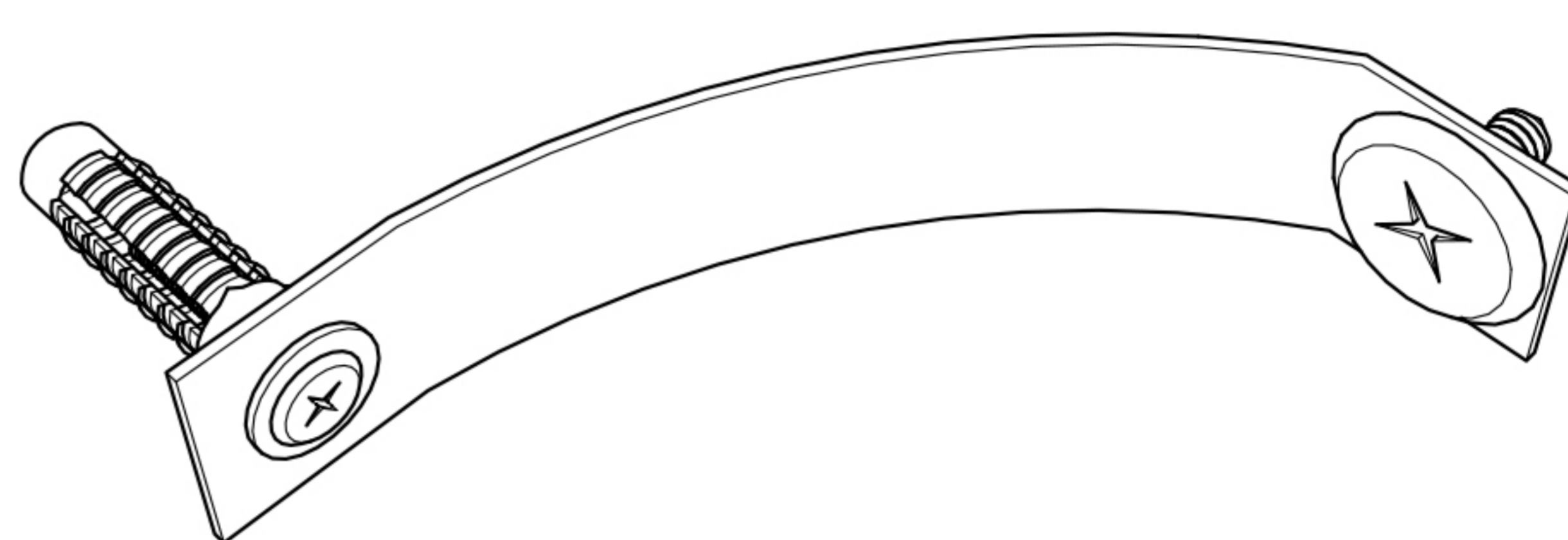
**12x/15x/18x**

Opp No. 4/Opp No. 5/Opp No. 6

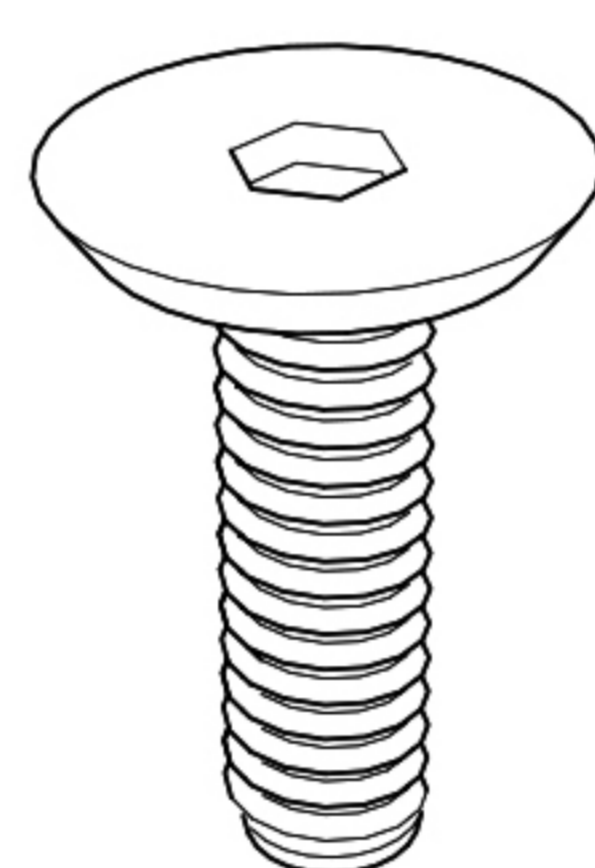


**12x/15x/18x**

Opp No. 4/Opp No. 5/Opp No. 6



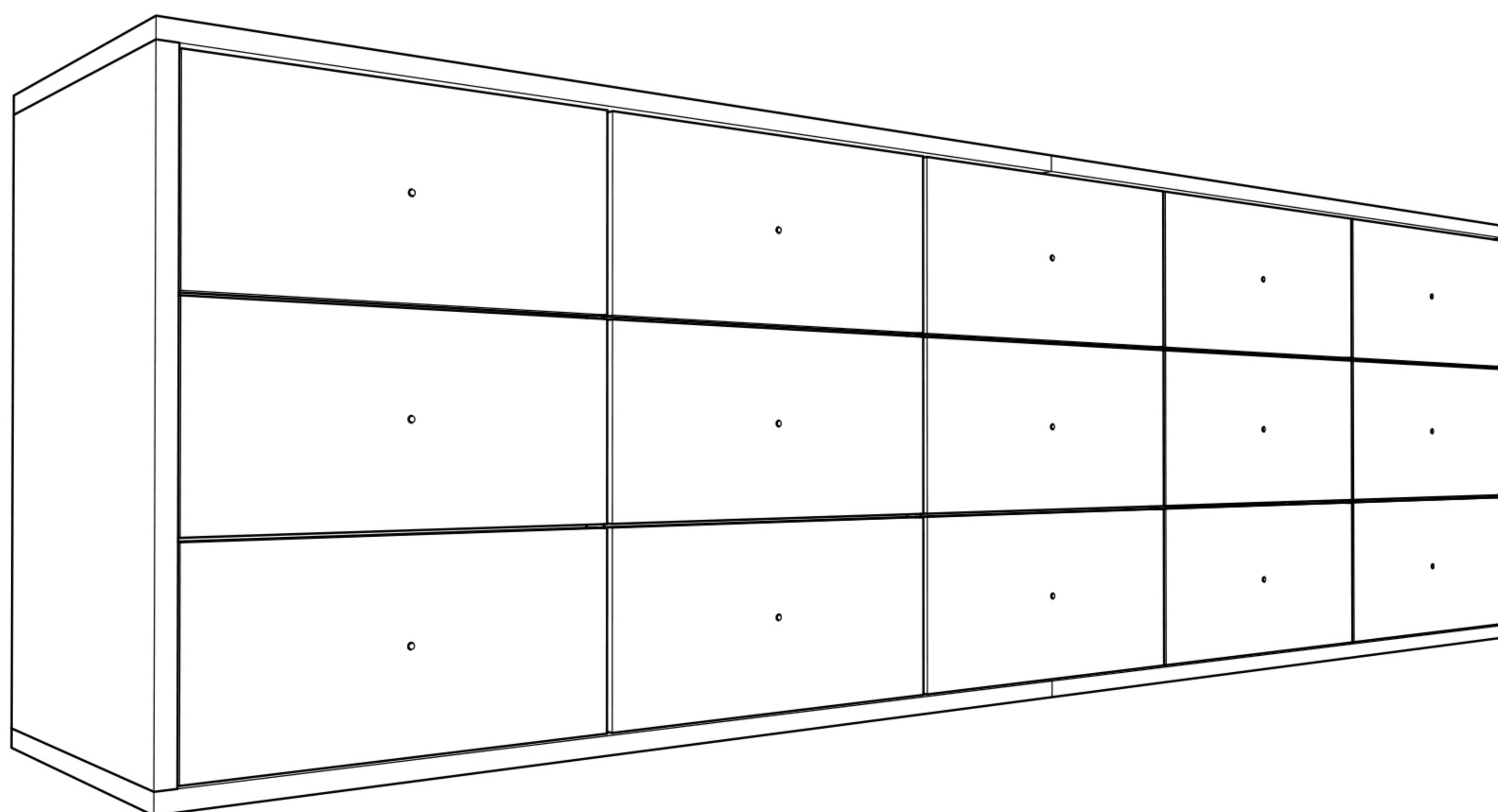
**1x**



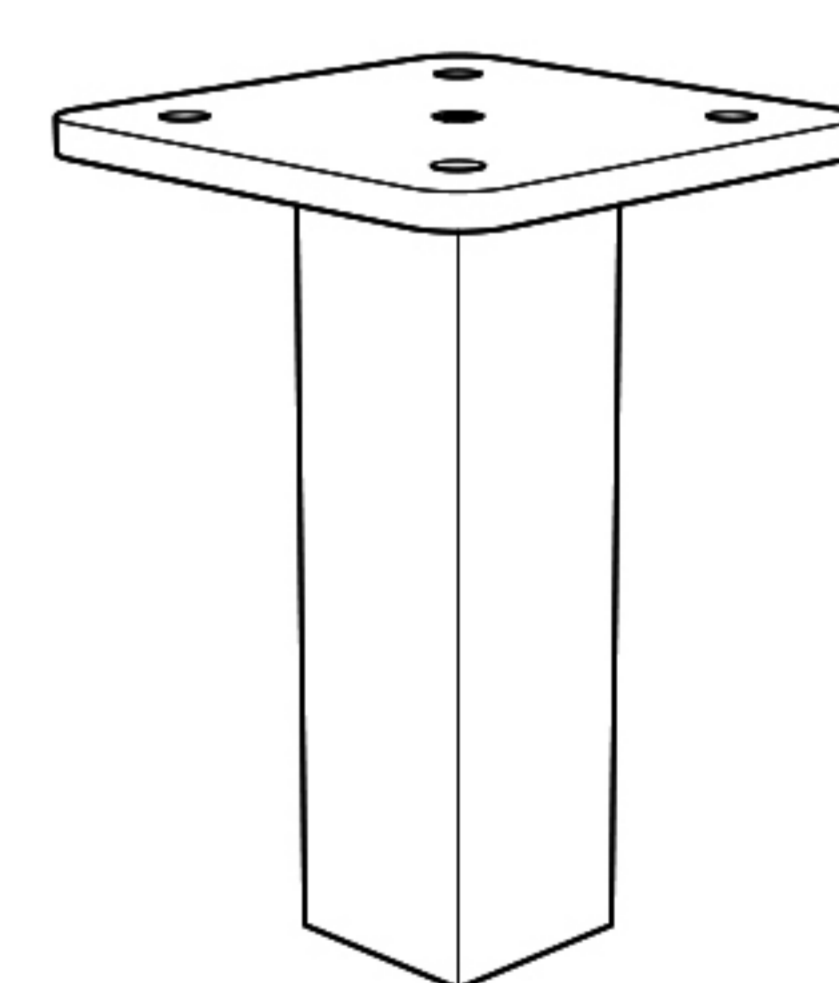
**20x**



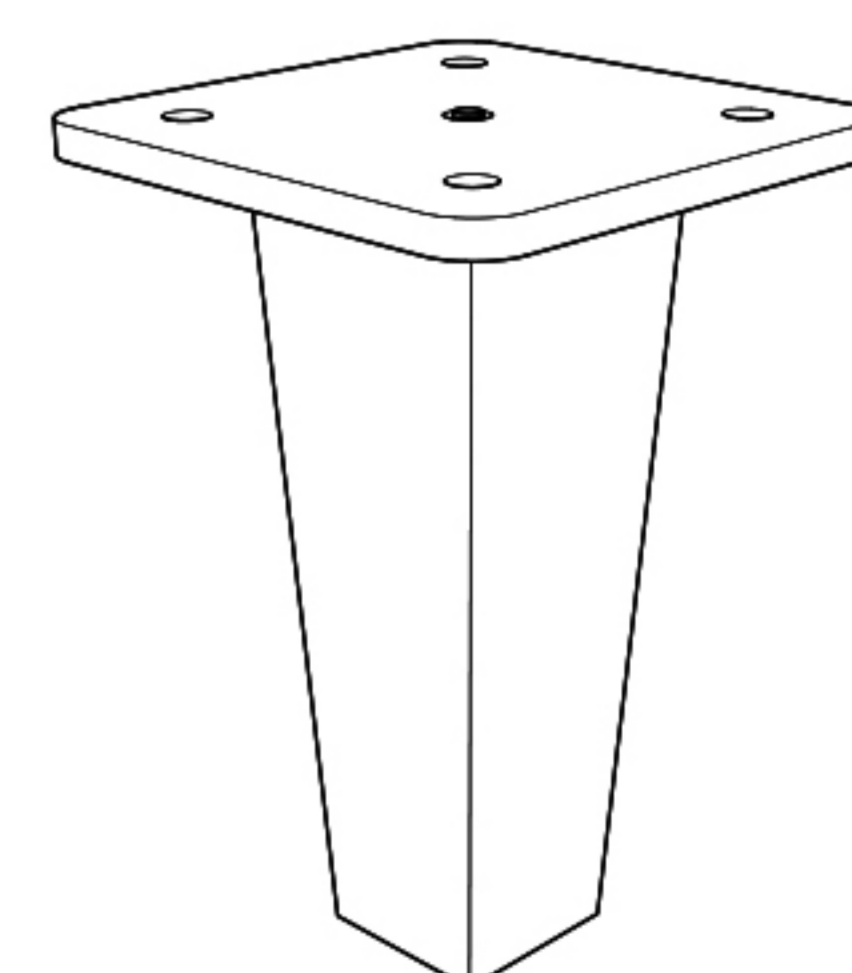
**1x**



**1x**



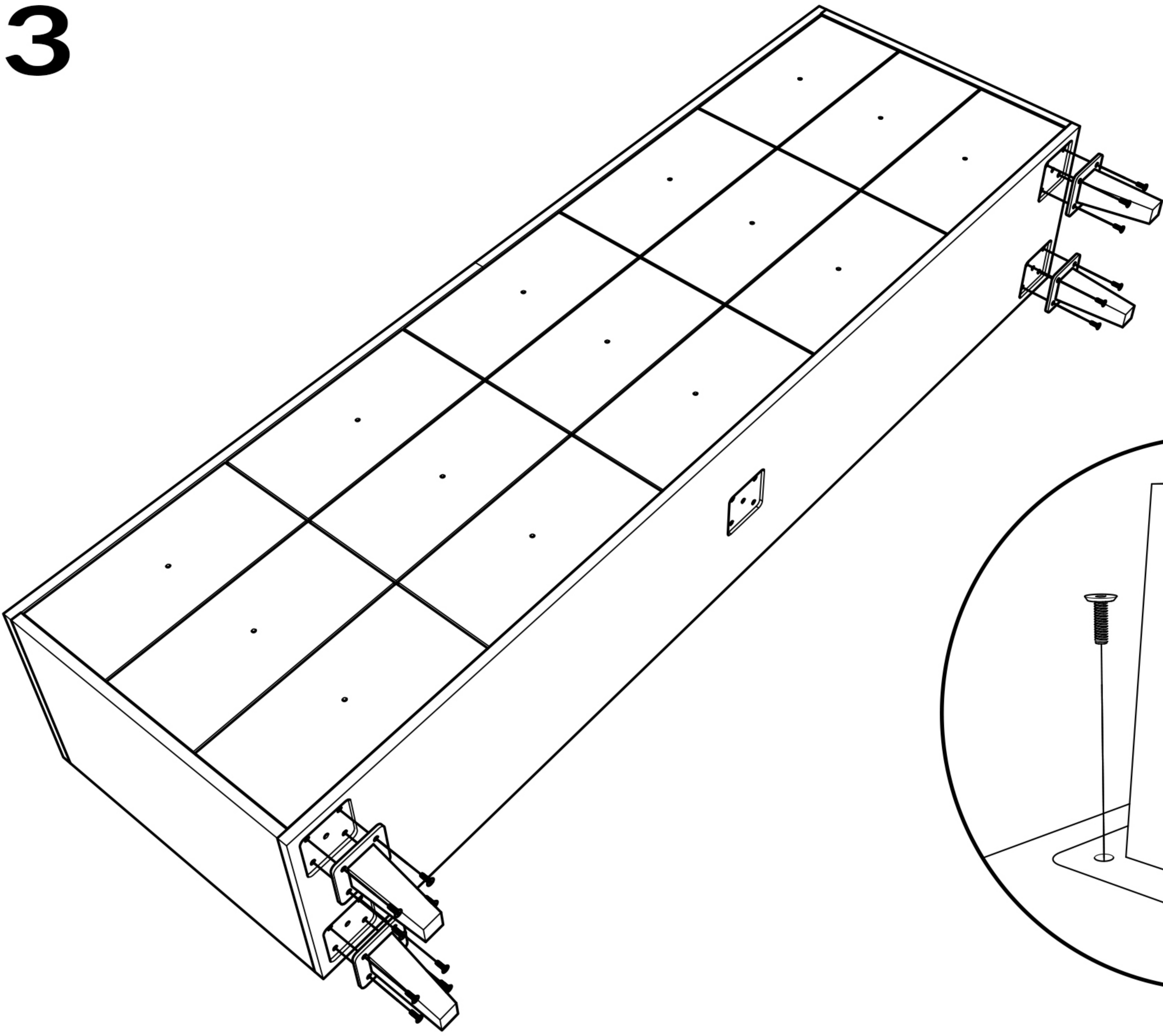
**1x**



**4x**

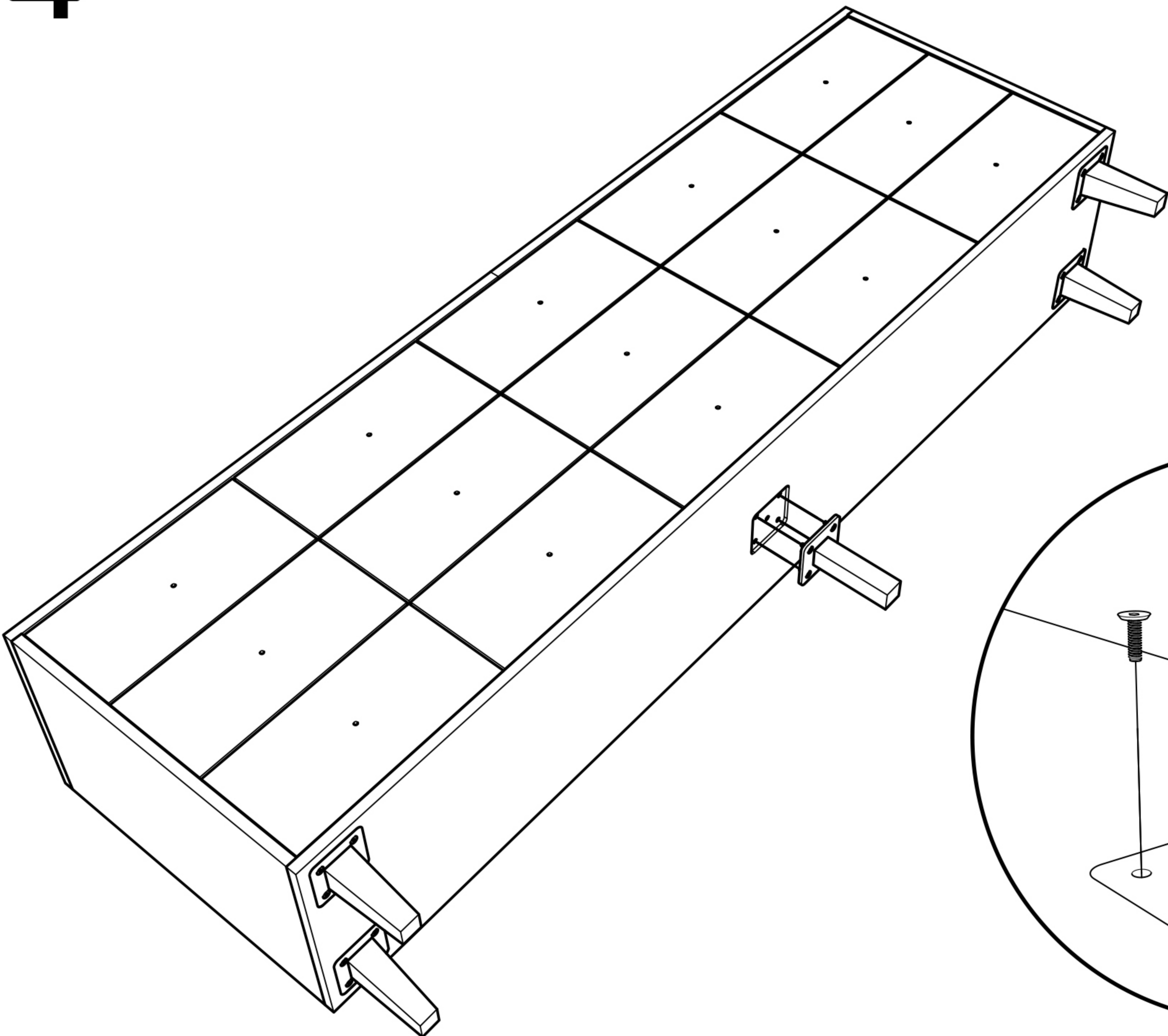


3



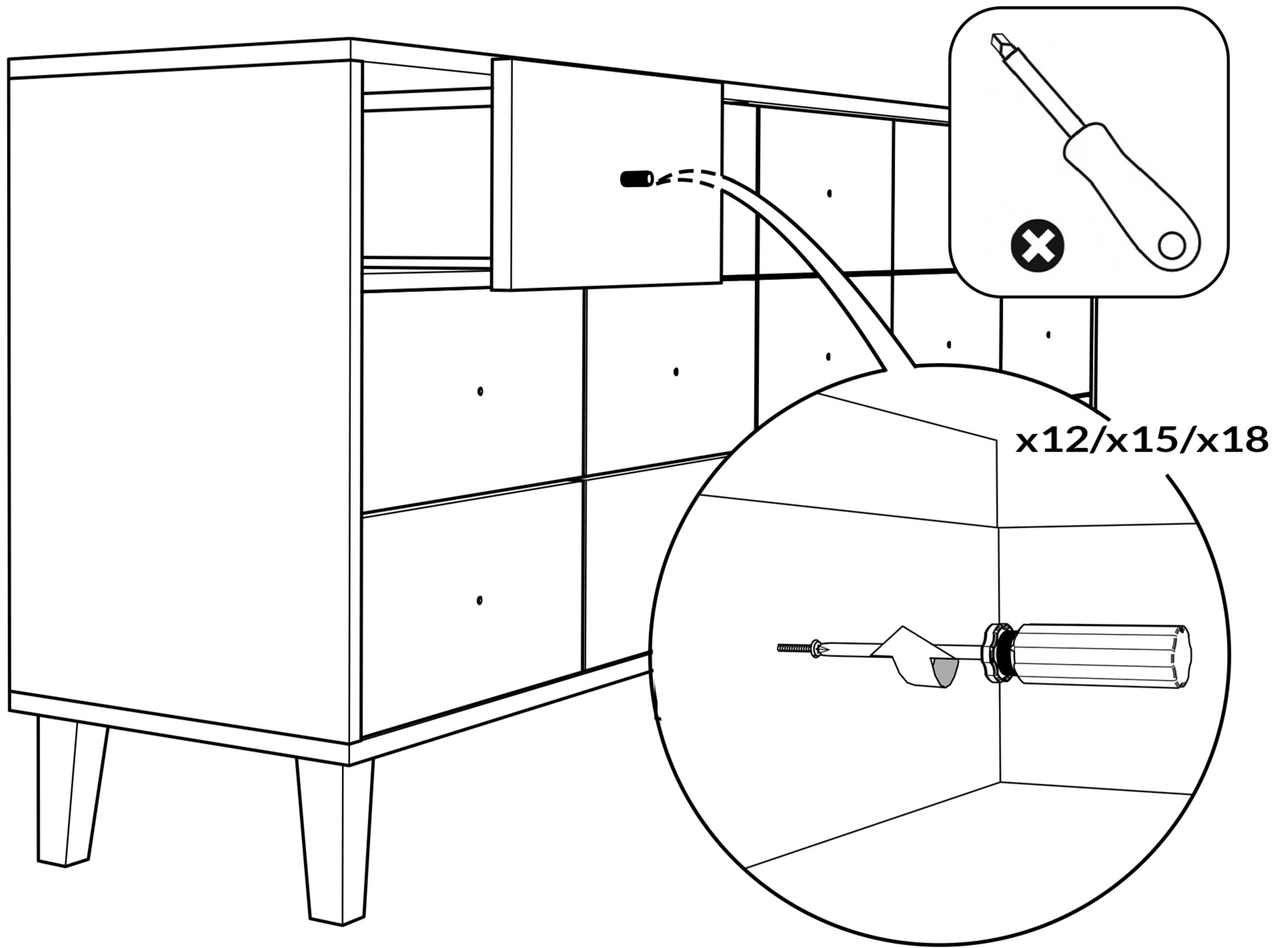
x16

4

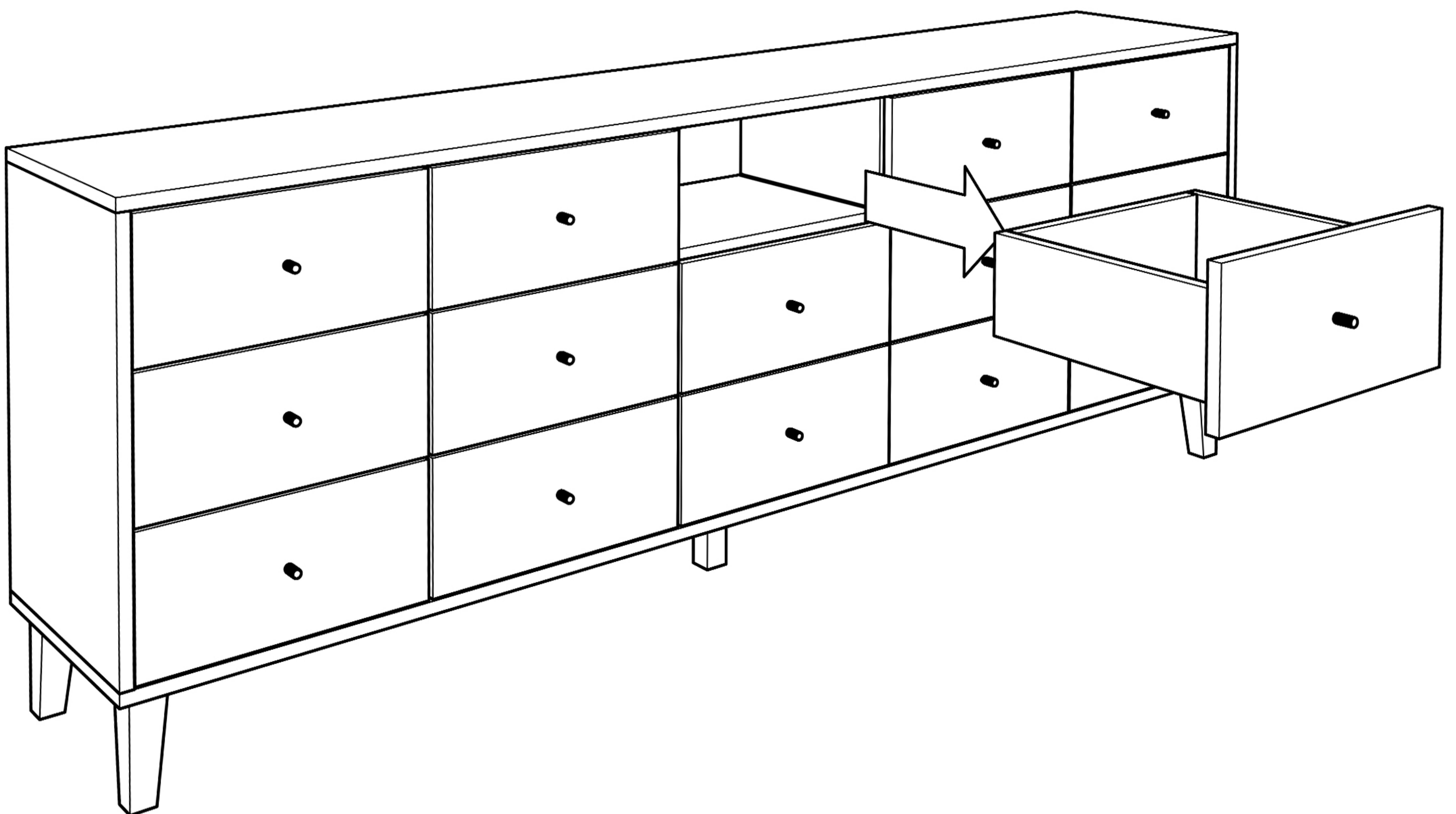


x4

5



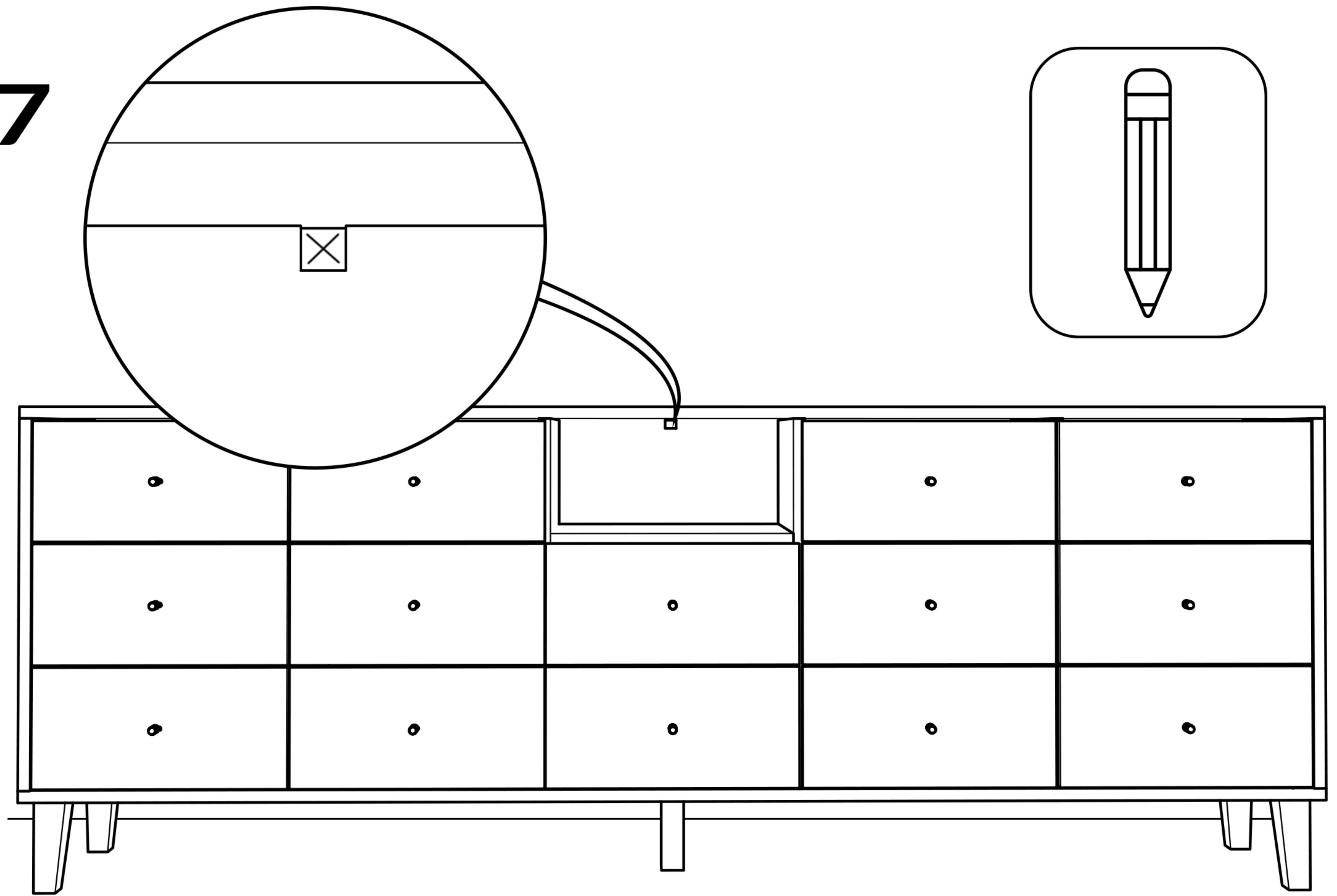
6



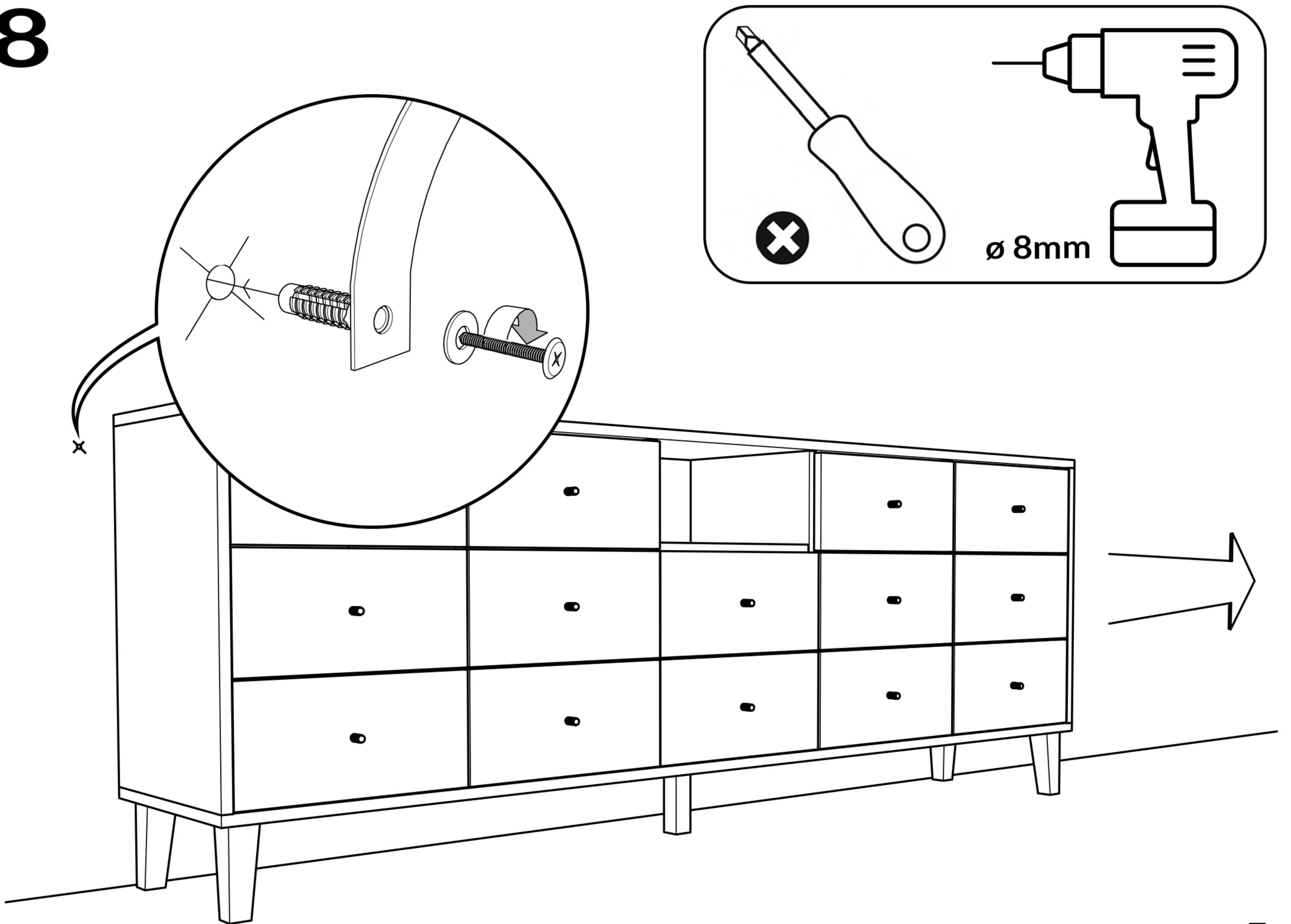
4



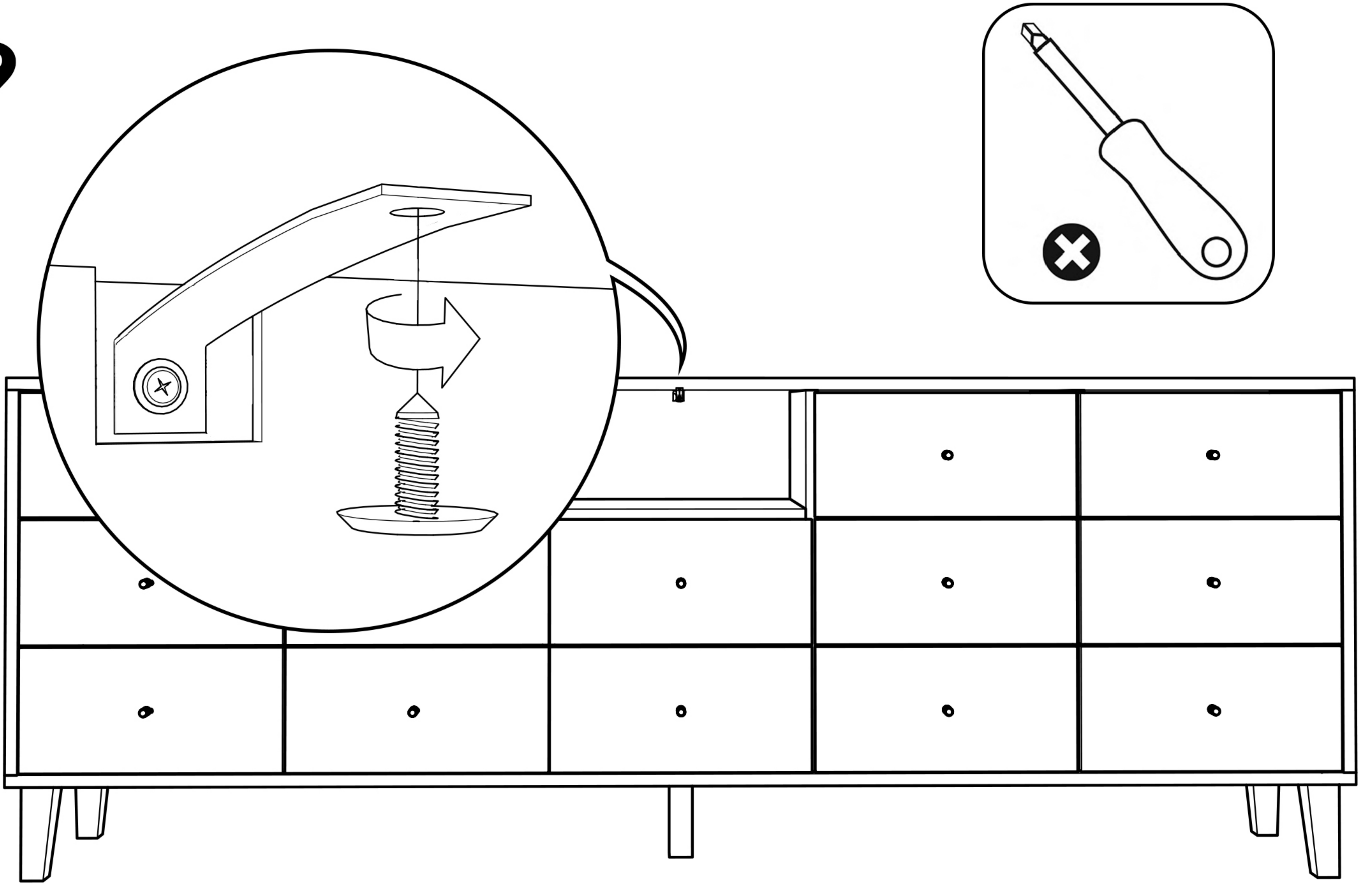
7



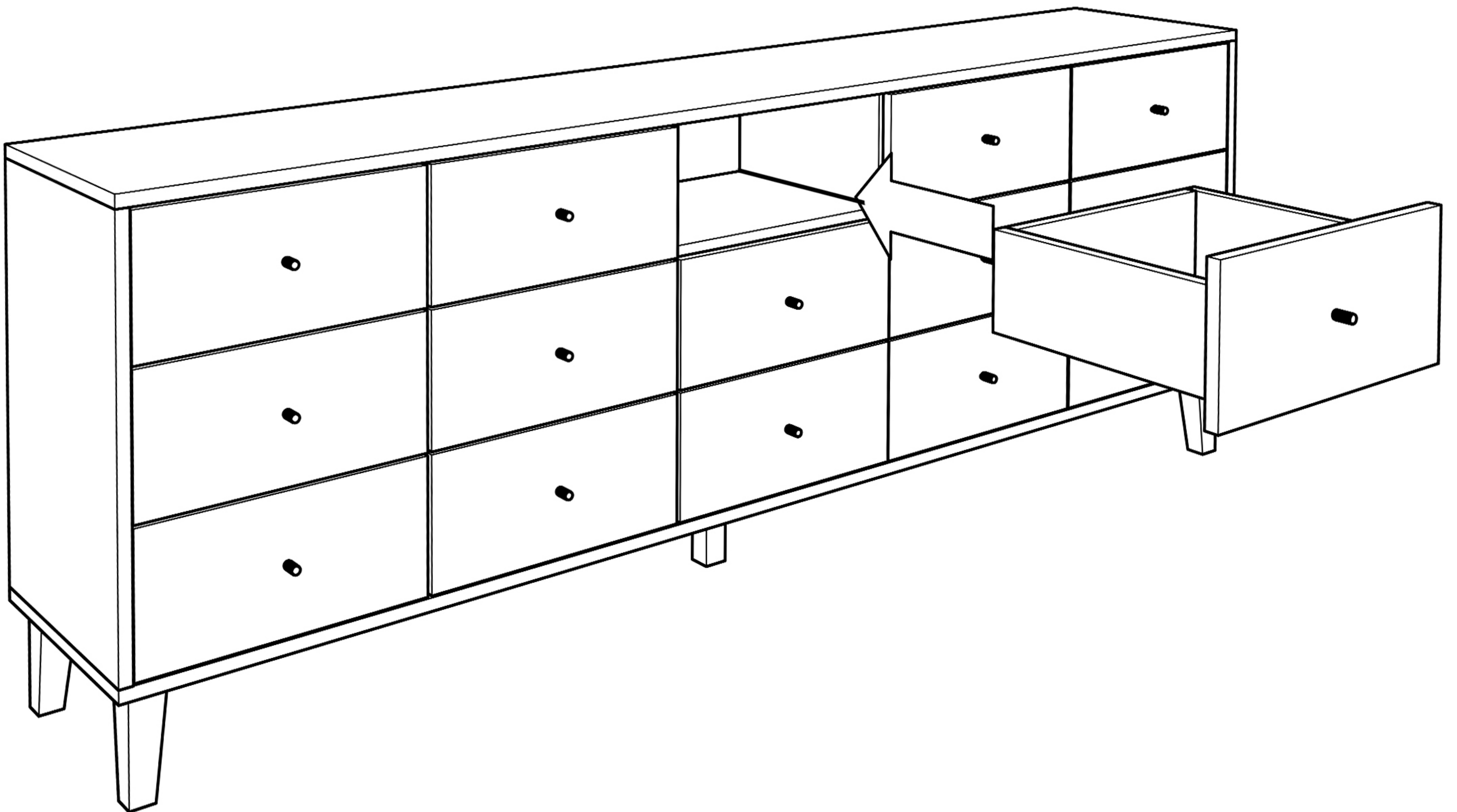
8



9



10





**106110005**