



48 x 48mm

**Features :**

- Single Set Point
- LED Indications : Relay ON, Seconds, Minutes, Hours
- 3 digits, 7 segment LED, Dual Display

**Display Specifications**

Display	3 digits, 7 segment LED, Dual display Height of Upper Display : 0.3785" Height of Lower Display : 0.2720"
LED Indications	Relay ON, Hr / Min /Sec

**Input Specifications**

Accuracy	Setting : $\pm 0.05\%$ of set time or 50msec Repeat : $\pm 0.05\%$
Start Input	Gate / Pulse (Programmable)

**Output Specifications**

Relay Contact	2 C/O SPDT
Contact Rating	5A @ 250V AC / 28V DC

**Functional Specifications**

Modes	ON delay, Interval, Cyclic ON first, Cyclic OFF first
Time Ranges	0 - 9.99sec 0 - 99.9sec 0 - 999sec 0 - 9:59min : sec 0 - 99.9min 0 - 999min 0 - 9:59hr : min 0 - 99.9hr 0 - 999hr
Resolution	0.01sec
Counting Direction	Up / Down (selectable)
Set Point	1
Time Setting	By keys on front panel
Reset	Front, Remote, On power interruption (programmable)
Memory Retention	Yes (selectable)
Configuration Lock	Yes

**Auxiliary Supply Specifications**

Supply Voltage	85 to 270V AC (50 / 60Hz) -15% to 10% tolerance
Power Consumption	4VA max

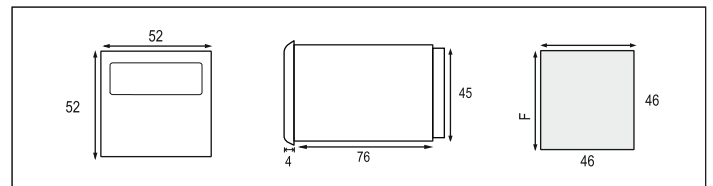
**Environmental Specifications**

Temperature	Operating : 0 to 50°C (32 to 122°F) Storage : -20 to 75°C (-4 to 167°F)
Humidity (non - condensing)	95% RH

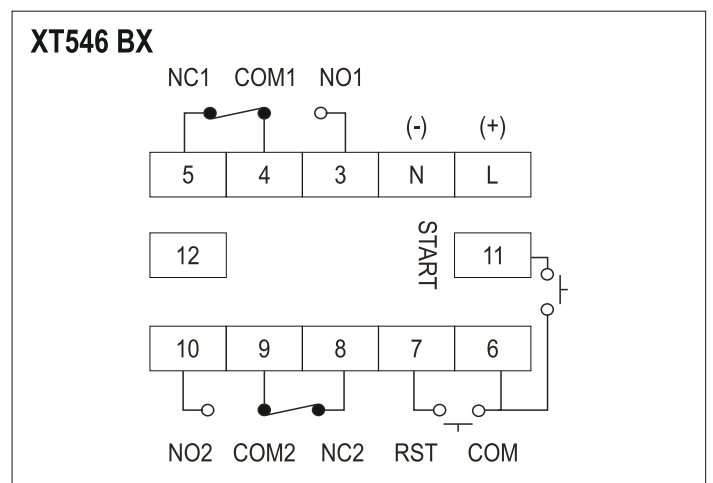
**Mechanical Specifications**

Mounting	Panel Mount
Weight	120gms

**Dimensions**

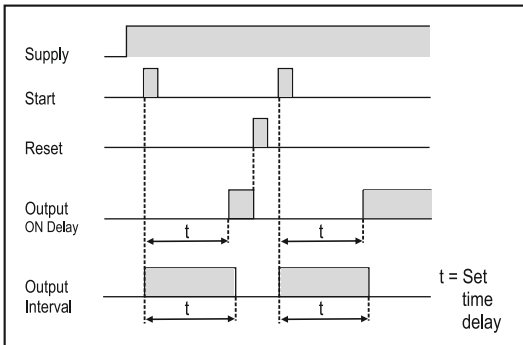


**Terminal Connections**

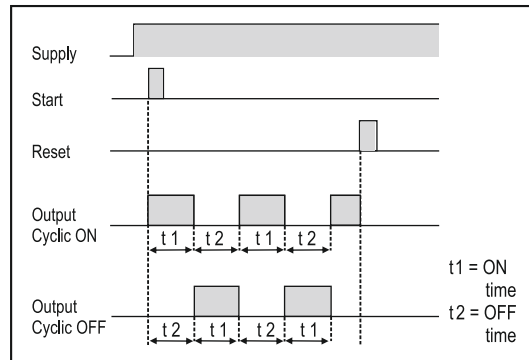


TIMING DIAGRAMS

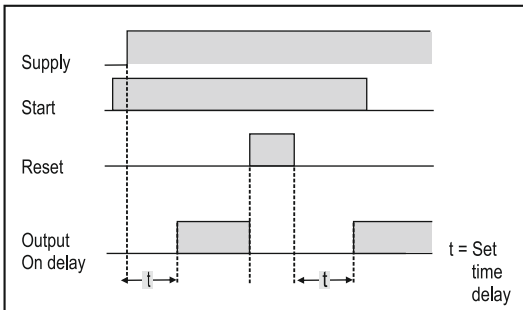
1. On delay, Interval modes :



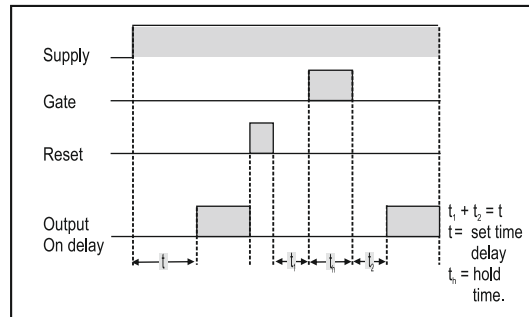
2. Cyclic ON first, Cyclic OFF first modes :



Typical application of Continuous start and reset in On delay mode :



Typical application of Gate start :



Ordering Information

Product Code	Supply Voltage	Certification
XT546BX	85 to 270V AC / DC	---