

# PORTA ROMANA



## Oval Compton Chandelier

MCL65A | Plaster White

Plaster White

**WIDTH**  
1330mm | 52 1/2"

**CONSTRUCTED FROM**  
Cast composite and metal with decorative finish

**MAX WATTAGE**  
25W



**DEPTH**  
790mm | 31 1/4"

**WEIGHT**  
13.5 kg | 29.7 lbs

**LAMP**  
8 x 320lm (3w) LED G9 Capsule

**MINIMUM DROP**  
1035mm | 40 3/4"

**VOLTAGE**  
220-240V

**MAXIMUM DROP**  
1995mm | 78 3/4"

**FLEX AND SWITCH**  
Cream Silk flex

**DROPS AVAILABLE**  
1800mm / Custom

**FINISHES**  
1 Plaster White

# Oval Compton Chandelier

MCL65A

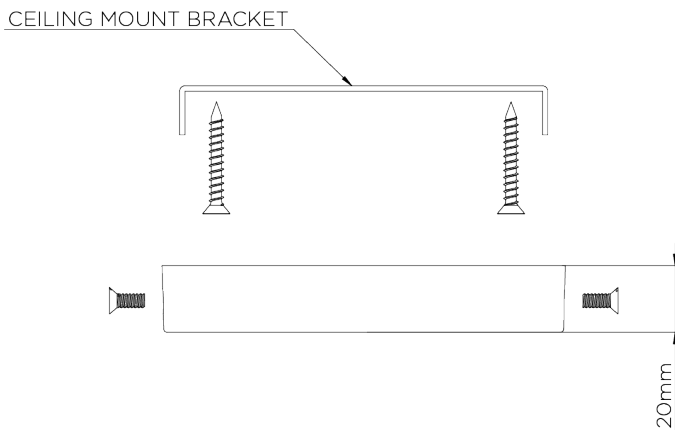
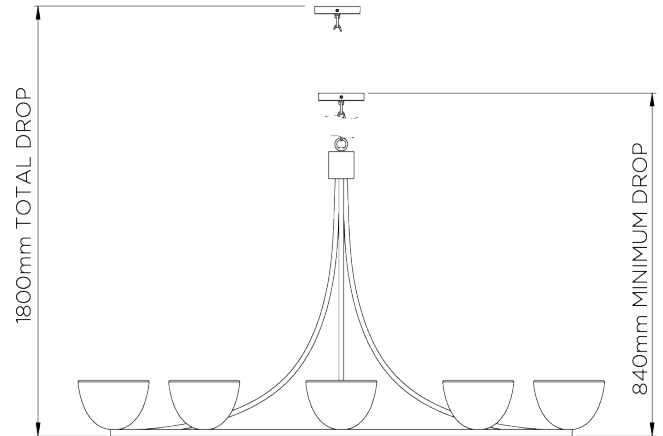
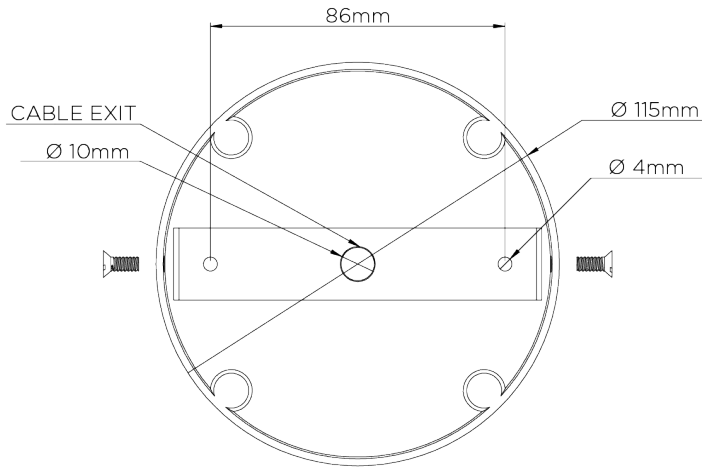
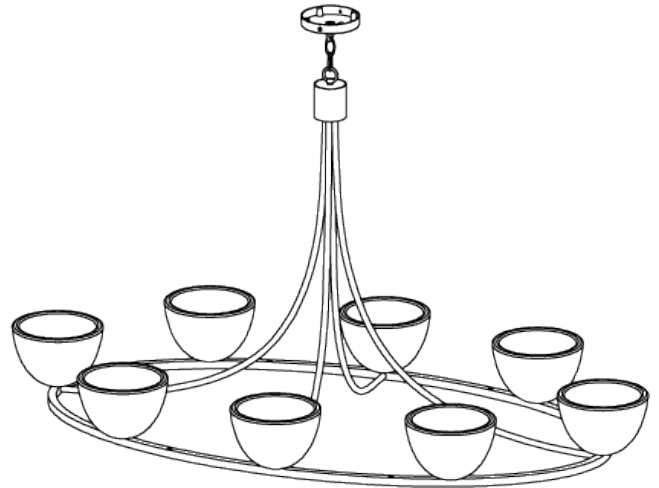
WIDTH  
1330mm | 52 1/2"

DEPTH  
790mm | 31 1/4"

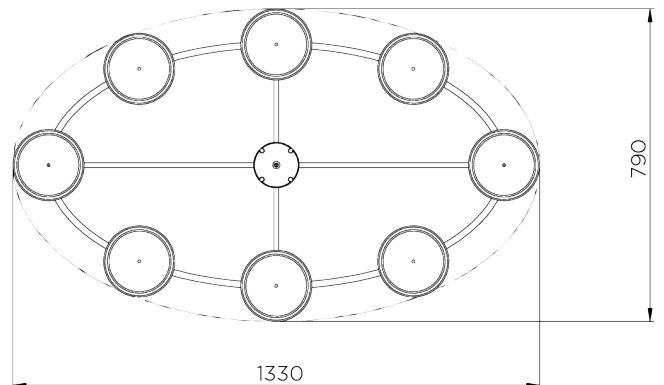
MINIMUM DROP  
1035mm | 40 3/4"

MAXIMUM DROP  
1995mm | 78 3/4"

DROPS AVAILABLE  
1800mm / Custom



CEILING ROSE DETAIL



© Porta Romana 2022

Dimensions and weights are provided as a guide. All Porta Romana Products are made by hand and variations can occur in some products. The products you are buying or marketing are exclusive designs belonging to Porta Romana. Please do not submit design sheets featuring our products to other manufacturing companies nor to other parties who might. Any manufacturer found to be reproducing Porta Romana products will be breaching copyright law and will be actively pursued