

# PORTA ROMANA



## Medium Quantum Chandelier

MCL60M | New Silver

New Silver with Clear Glass

**WIDTH**  
1505mm | 59 1/4"

**CONSTRUCTED FROM**  
Steel with decorative finish and glass spheres

**RECOMMENDED SHADE**  
5" Top Hat



**DEPTH**  
550mm | 21 3/4"

**LAMP**  
12 x Torpedo Type B10 Candelabra Base

**MINIMUM DROP**  
1290mm | 51"

**VOLTAGE**  
120V

**MAXIMUM DROP**  
1290mm | 51"

**FINISHES**  
1 New Gold  
2 New Silver

# Medium Quantum Chandelier

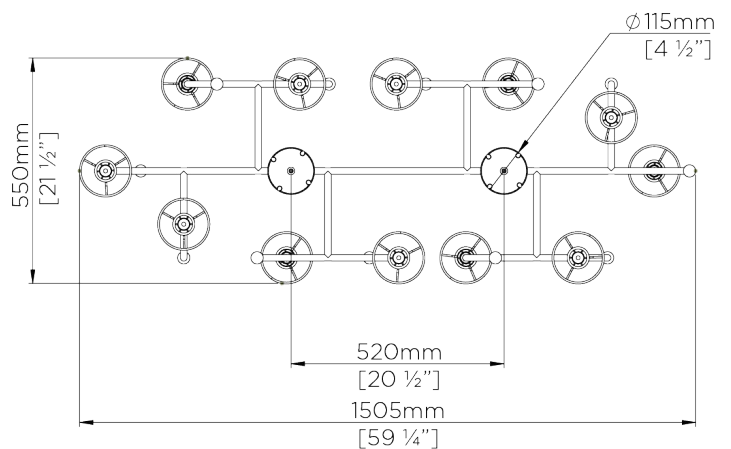
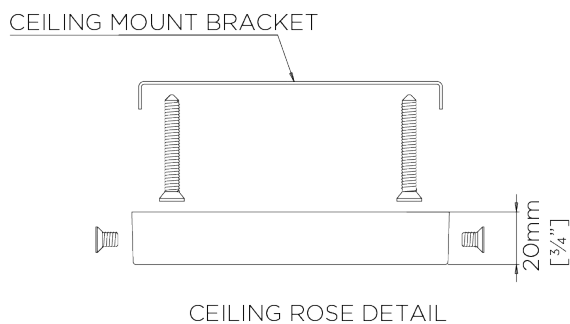
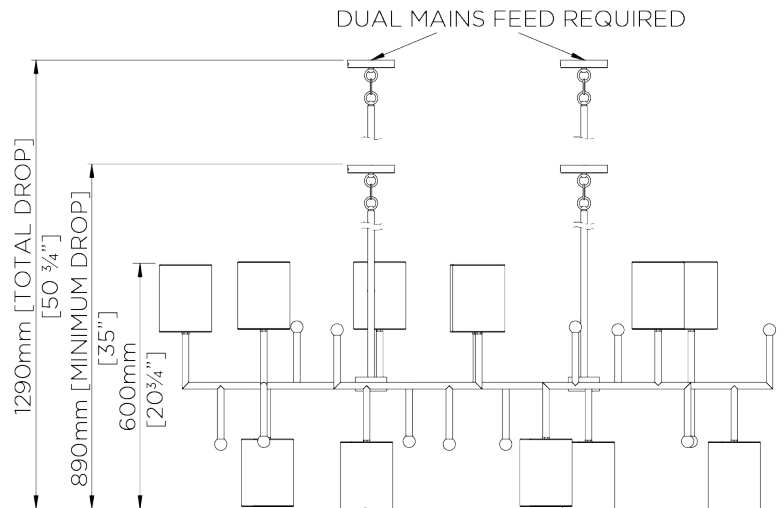
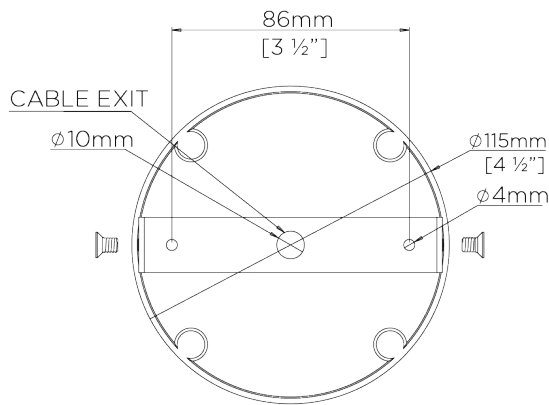
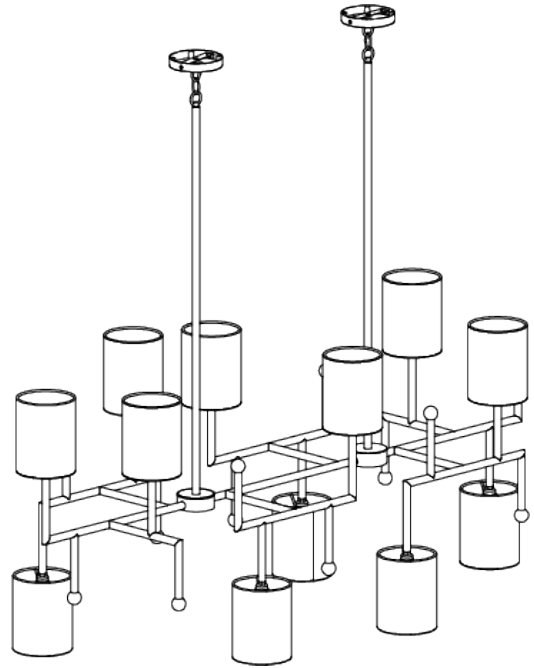
## MCL60M

**WIDTH**  
1505mm | 59 1/4"

**DEPTH**  
550mm | 21 3/4"

**MINIMUM DROP**  
1290mm | 51"

**MAXIMUM DROP**  
1290mm | 51"



© Porta Romana 2022

Dimensions and weights are provided as a guide. All Porta Romana Products are made by hand and variations can occur in some products. The products you are buying or marketing are exclusive designs belonging to Porta Romana. Please do not submit design sheets featuring our products to other manufacturing companies nor to other parties who might. Any manufacturer found to be reproducing Porta Romana products will be breaching copyright law and will be actively pursued