

# PORTA ROMANA



## Clare Chandelier

MCL89 | Nero

Nero with 3.5" Top Hat Shade in Charcoal Linen

HEIGHT  
540mm | 21 1/2"

CONSTRUCTED FROM  
Brass with decorative finish

RECOMMENDED SHADE  
3.5" Top Hat



HEIGHT WITH SHADE  
540mm | 21 1/2"

WEIGHT  
2.8kg | 6.25lbs

WATTAGE  
25W

WIDTH  
620mm | 24 1/2"

MATERIAL  
Metal

LAMPING  
450lm (5w) LED E12 Candle (B10)

WIDTH WITH SHADE  
620mm | 24 1/2"

VOLTAGE  
120 V

MINIMUM DROP  
630mm | 25"

TOTAL DROP  
1600mm | 63"

FINISHES  
Nero  
Antiqued Brass

© Porta Romana 2024

# Clare Chandelier

## MCL89

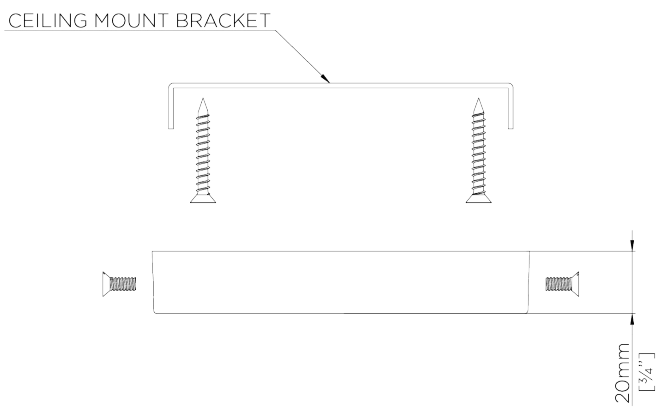
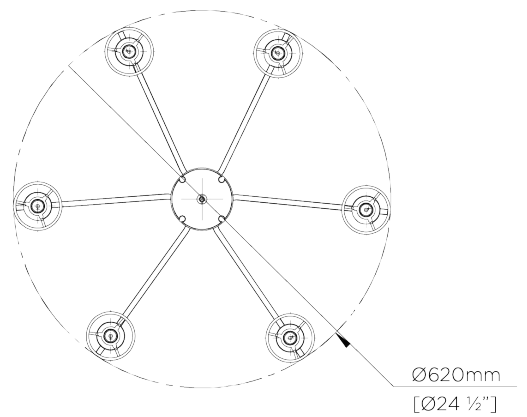
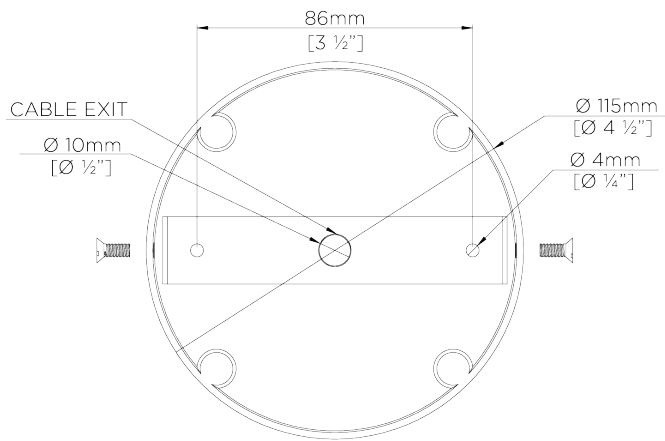
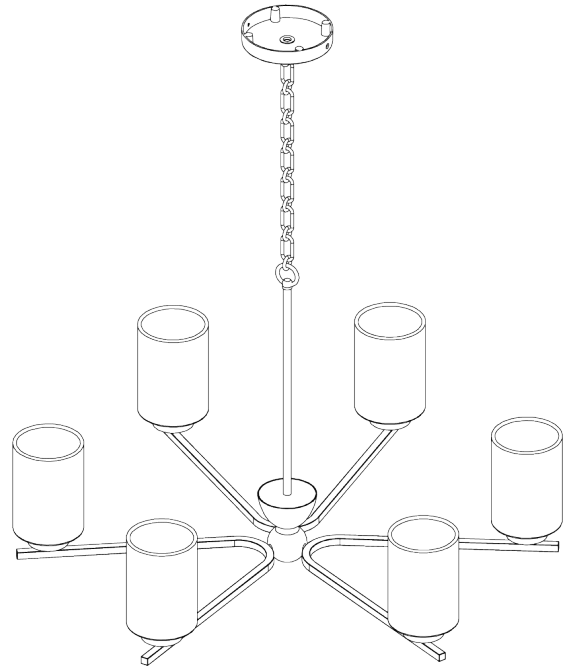
Height  
1600mm | 63"

Height With Shade  
630mm | 24 3/4"

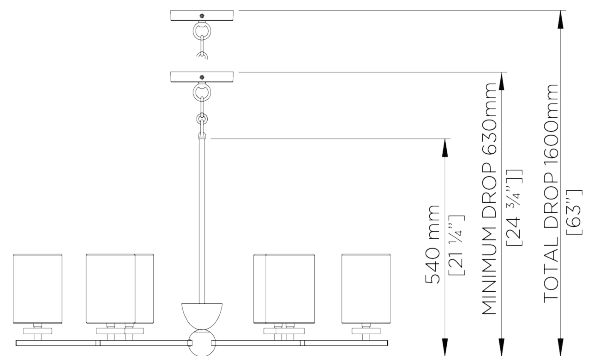
Width  
620mm | 24 1/2"

Minimum Drop  
630mm | 25"

Maximum Drop  
1600mm | 63"



CEILING ROSE DETAIL



© Porta Romana 2024

Dimensions and weights are provided as a guide. All Porta Romana Products are made by hand and variations can occur in some products. The products you are buying or marketing are exclusive designs belonging to Porta Romana. Please do not submit design sheets featuring our products to other manufacturing companies nor to other parties who might. Any manufacturer found to be reproducing Porta Romana products will be breaching copyright law and will be actively pursued