

PORTA ROMANA



Clare Chandelier

MCL89 | Nero

Nero with 3.5" Top Hat Shade in Charcoal Linen

HEIGHT
540mm | 21 1/2"

CONSTRUCTED FROM
Brass with decorative finish

RECOMMENDED SHADE
3.5" Top Hat



HEIGHT WITH SHADE
540mm | 21 1/2"

WEIGHT
2.8kg | 6.25lbs

WATTAGE
25W

WIDTH
620mm | 24 1/2"

MATERIAL
Metal

LAMP
450lm (5w) LED E14 Candle

WIDTH WITH SHADE
620mm | 24 1/2"

VOLTAGE
220-240 V

MINIMUM DROP
630mm | 25"

TOTAL DROP
1600mm | 63"

FINISHES
Nero
Antiqued Brass

Clare Chandelier

MCL89

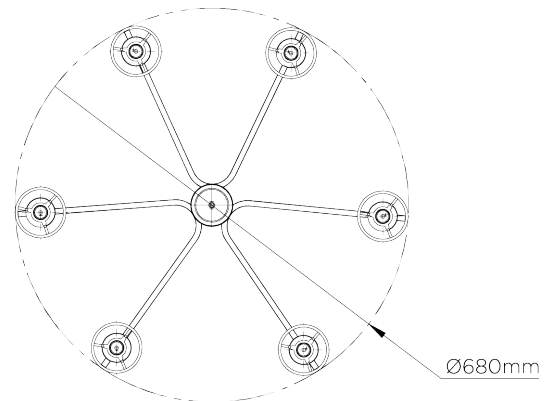
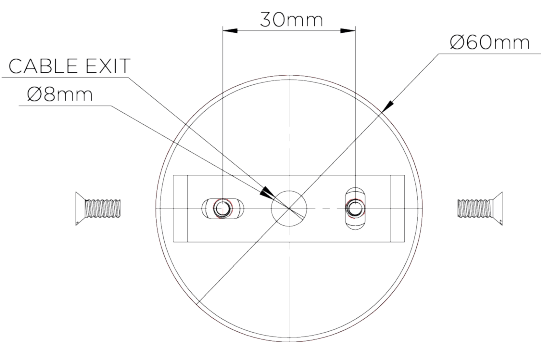
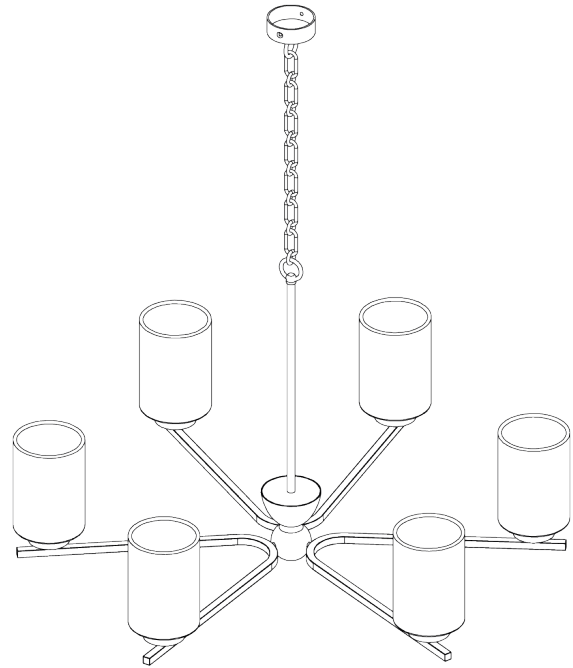
Height
1600mm | 63"

Height With Shade
630mm | 24 3/4"

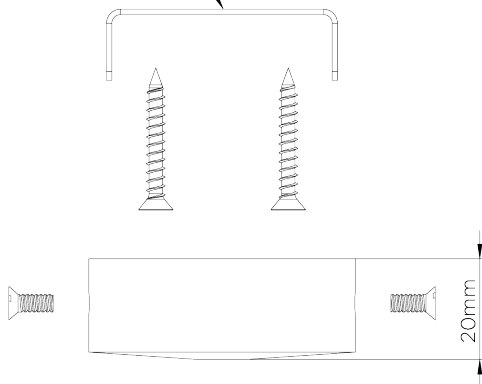
Width
620mm | 24 1/2"

Minimum Drop
630mm | 25"

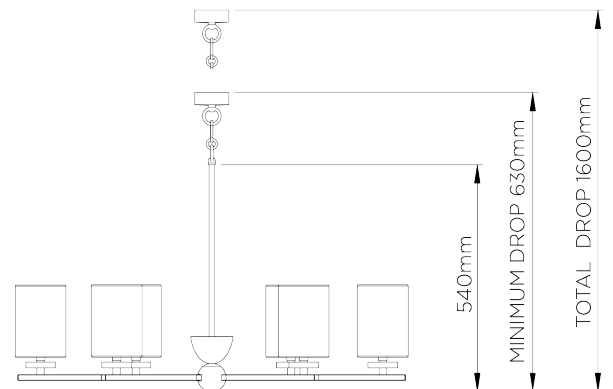
Maximum Drop
1600mm | 63"



CEILING MOUNT BRACKET



CEILING ROSE DETAIL



© Porta Romana 2024

Dimensions and weights are provided as a guide. All Porta Romana Products are made by hand and variations can occur in some products. The products you are buying or marketing are exclusive designs belonging to Porta Romana. Please do not submit design sheets featuring our products to other manufacturing companies nor to other parties who might. Any manufacturer found to be reproducing Porta Romana products will be breaching copyright law and will be actively pursued